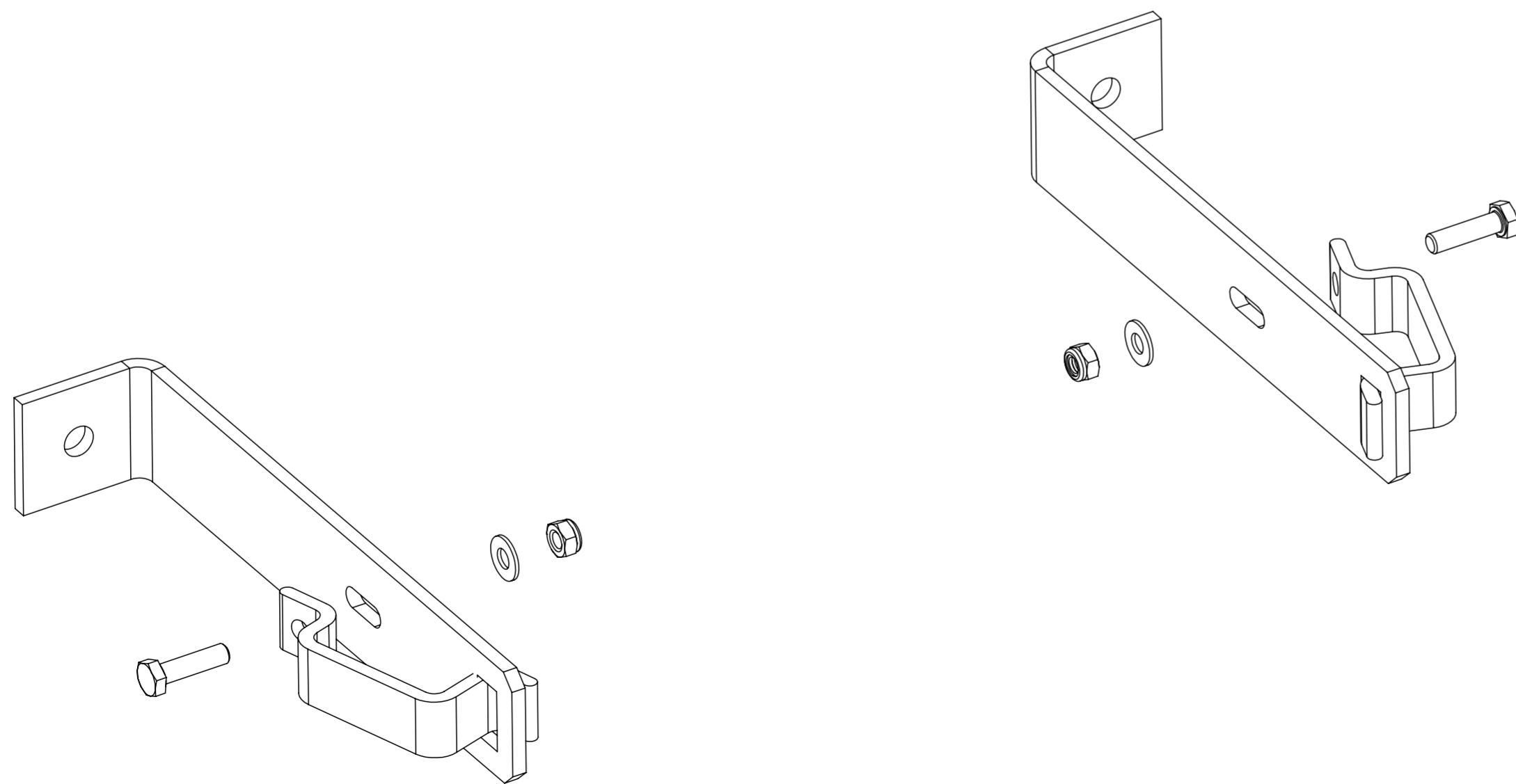
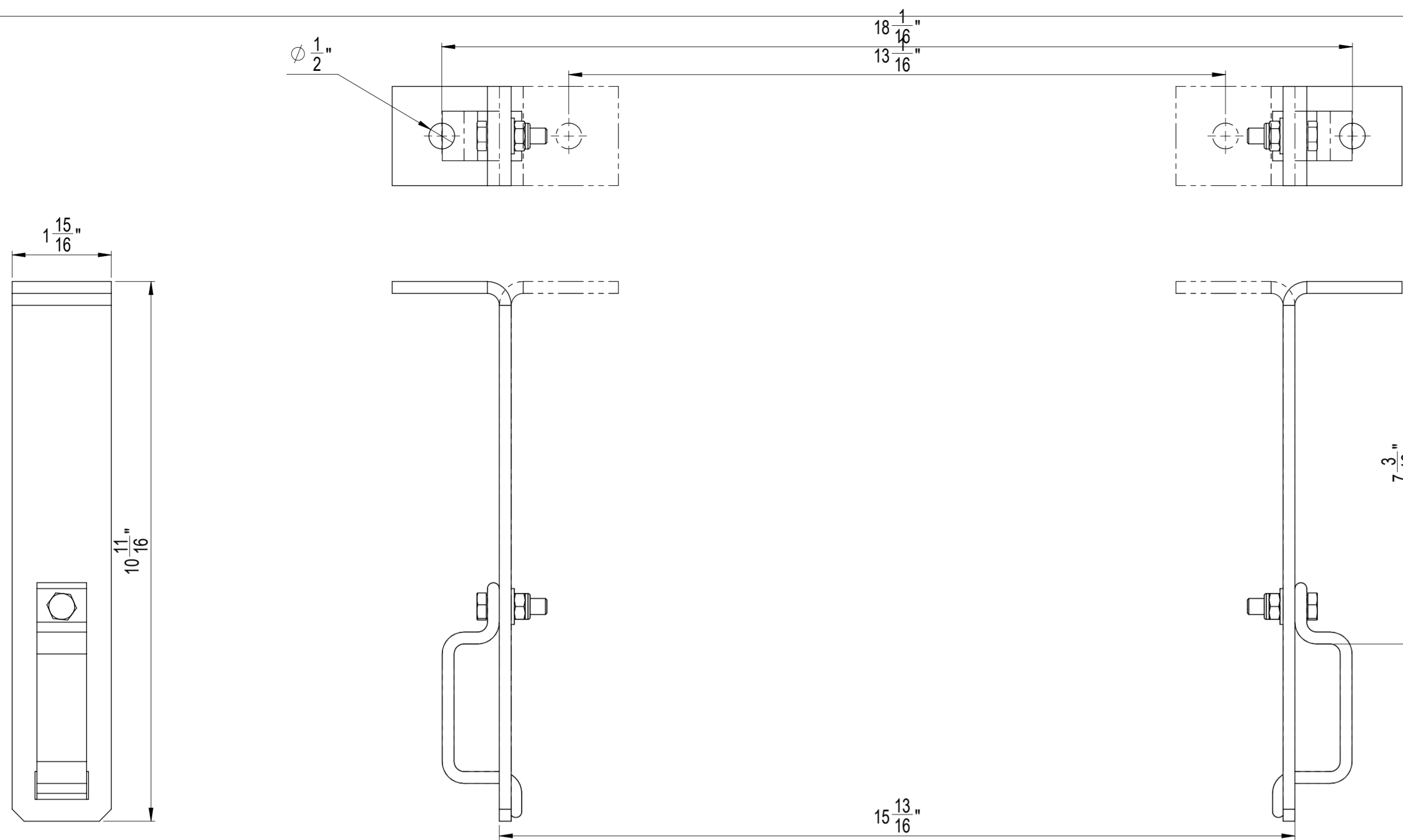



In no case this material may be modified without the express agreement of the company l'Echelle Européenne.



B		15/04/2019	B.CHAMPAUZAS					
REV.	DESCRIPTION	DATE	DESSINATEUR	APPROBATEUR				
	<p>1. You have to use only assemblies or dowel fixing who are authorized by the office in charge of the supervision of public works. The structure has to be sufficiently strong. The installation company is responsible for the execution and must have the load-bearing capacity of the masonry checked by a construction expert.</p> <p>About the number of dowels, you have to contact a dowels fabricant and follow his instructions.</p> <p>An installation expert has to verify the construction during it. The dowels are not included in the delivery volume. Please, respect the preventives instructions against the accidents.</p>							
		STANDARD FASTENING LEGS						
Creation :								
Date :	15/04/2019							
Last modification :	20/10/2021	Store	Product reference	Order number				
Norm :	ANSI-ASC A14.3-2008		50139					
Mass ≈	0.82kg	Scale : 1:2	Sheet 1/1	A2				
L'Echelle Européenne holds all intellectual property rights to this plan. Any unauthorised use is liable to prosecution, in accordance with the provisions of the Intellectual Property Code.		<table border="0"> <tr> <td>Charg (max) Step :</td> <td>150kg/step</td> </tr> <tr> <td>Charg (max) Platform:</td> <td>200kg/m²</td> </tr> </table>			Charg (max) Step :	150kg/step	Charg (max) Platform:	200kg/m ²
Charg (max) Step :	150kg/step							
Charg (max) Platform:	200kg/m ²							