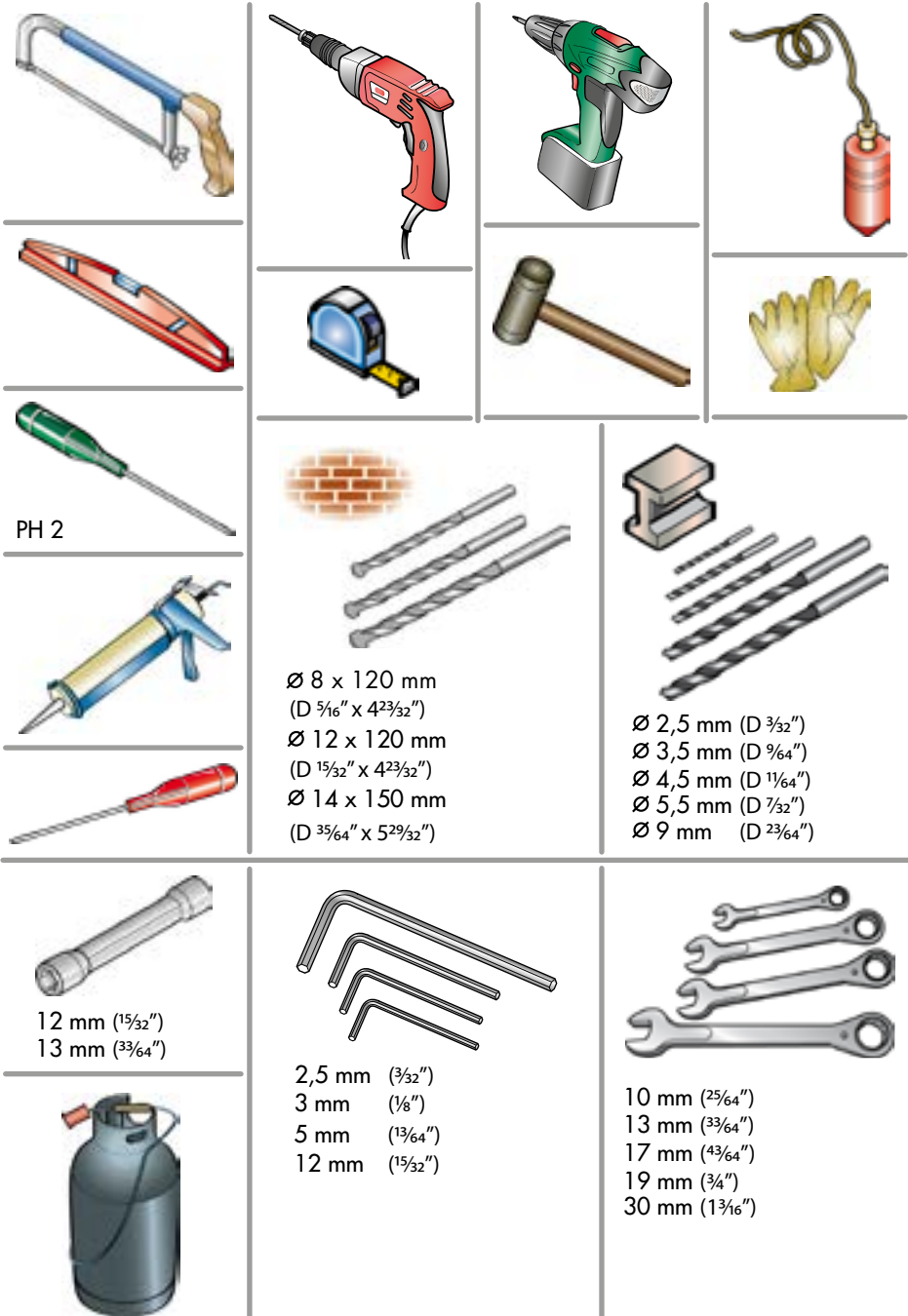




L'ECHELLE
EUROPEENNE



LUCIA



PH 2

Ø 8 x 120 mm
(D 5/16" x 4 23/32")
Ø 12 x 120 mm
(D 15/32" x 4 23/32")
Ø 14 x 150 mm
(D 35/64" x 5 29/32")

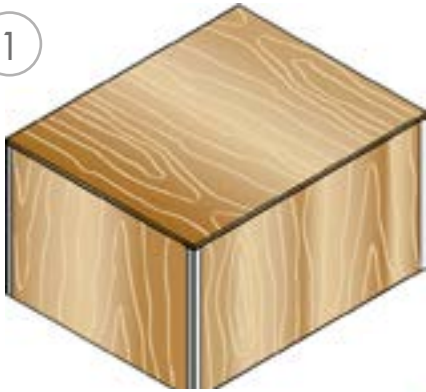
Ø 2,5 mm (D 3/32")
Ø 3,5 mm (D 9/64")
Ø 4,5 mm (D 11/64")
Ø 5,5 mm (D 7/32")
Ø 9 mm (D 23/64")

12 mm (15/32")
13 mm (33/64")

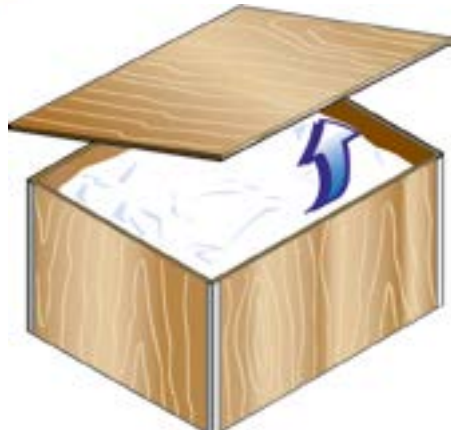
2,5 mm (3/32")
3 mm (1/8")
5 mm (13/64")
12 mm (15/32")

10 mm (25/64")
13 mm (33/64")
17 mm (43/64")
19 mm (3/4")
30 mm (13/16")

1

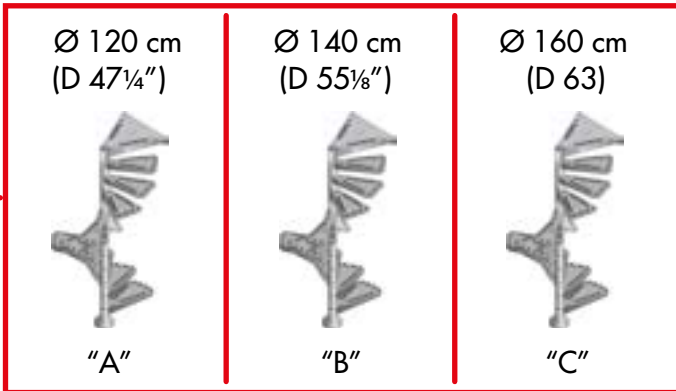
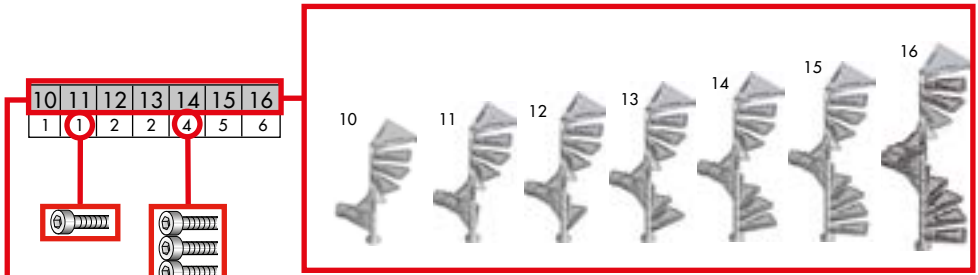


2



3





<p>A02</p> <table border="1"> <tr> <td></td> <td>10</td> <td>11</td> <td>12</td> <td>13</td> <td>14</td> <td>15</td> <td>16</td> </tr> <tr> <td>A</td> <td>1</td> <td>1</td> <td>1</td> <td>1</td> <td>1</td> <td>1</td> <td>1</td> </tr> <tr> <td>B</td> <td>1</td> <td>1</td> <td>1</td> <td>1</td> <td>1</td> <td>1</td> <td>1</td> </tr> <tr> <td>C</td> <td>1</td> <td>1</td> <td>1</td> <td>1</td> <td>1</td> <td>1</td> <td>1</td> </tr> </table>		10	11	12	13	14	15	16	A	1	1	1	1	1	1	1	B	1	1	1	1	1	1	1	C	1	1	1	1	1	1	1	<p>A03</p> <table border="1"> <tr> <td></td> <td>10</td> <td>11</td> <td>12</td> <td>13</td> <td>14</td> <td>15</td> <td>16</td> </tr> <tr> <td>A</td> <td>6</td> <td>6</td> <td>6</td> <td>6</td> <td>6</td> <td>6</td> <td>6</td> </tr> <tr> <td>B</td> <td>6</td> <td>6</td> <td>6</td> <td>6</td> <td>6</td> <td>6</td> <td>6</td> </tr> <tr> <td>C</td> <td>6</td> <td>6</td> <td>6</td> <td>6</td> <td>6</td> <td>6</td> <td>6</td> </tr> </table>		10	11	12	13	14	15	16	A	6	6	6	6	6	6	6	B	6	6	6	6	6	6	6	C	6	6	6	6	6	6	6	<p>A18</p> <table border="1"> <tr> <td></td> <td>10</td> <td>11</td> <td>12</td> <td>13</td> <td>14</td> <td>15</td> <td>16</td> </tr> <tr> <td>A</td> <td>1</td> <td>1</td> <td>1</td> <td>1</td> <td>1</td> <td>1</td> <td>1</td> </tr> <tr> <td>B</td> <td>1</td> <td>1</td> <td>1</td> <td>1</td> <td>1</td> <td>1</td> <td>1</td> </tr> <tr> <td>C</td> <td>1</td> <td>1</td> <td>1</td> <td>1</td> <td>1</td> <td>1</td> <td>1</td> </tr> </table>		10	11	12	13	14	15	16	A	1	1	1	1	1	1	1	B	1	1	1	1	1	1	1	C	1	1	1	1	1	1	1
	10	11	12	13	14	15	16																																																																																											
A	1	1	1	1	1	1	1																																																																																											
B	1	1	1	1	1	1	1																																																																																											
C	1	1	1	1	1	1	1																																																																																											
	10	11	12	13	14	15	16																																																																																											
A	6	6	6	6	6	6	6																																																																																											
B	6	6	6	6	6	6	6																																																																																											
C	6	6	6	6	6	6	6																																																																																											
	10	11	12	13	14	15	16																																																																																											
A	1	1	1	1	1	1	1																																																																																											
B	1	1	1	1	1	1	1																																																																																											
C	1	1	1	1	1	1	1																																																																																											
<p>A19</p> <table border="1"> <tr> <td></td> <td>10</td> <td>11</td> <td>12</td> <td>13</td> <td>14</td> <td>15</td> <td>16</td> </tr> <tr> <td>A</td> <td>1</td> <td>1</td> <td>1</td> <td>1</td> <td>1</td> <td>1</td> <td>1</td> </tr> <tr> <td>B</td> <td>1</td> <td>1</td> <td>1</td> <td>1</td> <td>1</td> <td>1</td> <td>1</td> </tr> <tr> <td>C</td> <td>1</td> <td>1</td> <td>1</td> <td>1</td> <td>1</td> <td>1</td> <td>1</td> </tr> </table>		10	11	12	13	14	15	16	A	1	1	1	1	1	1	1	B	1	1	1	1	1	1	1	C	1	1	1	1	1	1	1	<p>B03</p> <table border="1"> <tr> <td></td> <td>10</td> <td>11</td> <td>12</td> <td>13</td> <td>14</td> <td>15</td> <td>16</td> </tr> <tr> <td>A</td> <td>1</td> <td>1</td> <td>1</td> <td>1</td> <td>1</td> <td>1</td> <td>1</td> </tr> <tr> <td>B</td> <td>1</td> <td>1</td> <td>1</td> <td>1</td> <td>1</td> <td>1</td> <td>1</td> </tr> <tr> <td>C</td> <td>1</td> <td>1</td> <td>1</td> <td>1</td> <td>1</td> <td>1</td> <td>1</td> </tr> </table>		10	11	12	13	14	15	16	A	1	1	1	1	1	1	1	B	1	1	1	1	1	1	1	C	1	1	1	1	1	1	1	<p>B04</p> <table border="1"> <tr> <td></td> <td>10</td> <td>11</td> <td>12</td> <td>13</td> <td>14</td> <td>15</td> <td>16</td> </tr> <tr> <td>A</td> <td>1</td> <td>1</td> <td>1</td> <td>1</td> <td>1</td> <td>1</td> <td>1</td> </tr> <tr> <td>B</td> <td>1</td> <td>1</td> <td>1</td> <td>1</td> <td>1</td> <td>1</td> <td>1</td> </tr> <tr> <td>C</td> <td>1</td> <td>1</td> <td>1</td> <td>1</td> <td>1</td> <td>1</td> <td>1</td> </tr> </table>		10	11	12	13	14	15	16	A	1	1	1	1	1	1	1	B	1	1	1	1	1	1	1	C	1	1	1	1	1	1	1
	10	11	12	13	14	15	16																																																																																											
A	1	1	1	1	1	1	1																																																																																											
B	1	1	1	1	1	1	1																																																																																											
C	1	1	1	1	1	1	1																																																																																											
	10	11	12	13	14	15	16																																																																																											
A	1	1	1	1	1	1	1																																																																																											
B	1	1	1	1	1	1	1																																																																																											
C	1	1	1	1	1	1	1																																																																																											
	10	11	12	13	14	15	16																																																																																											
A	1	1	1	1	1	1	1																																																																																											
B	1	1	1	1	1	1	1																																																																																											
C	1	1	1	1	1	1	1																																																																																											

B05



	10	11	12	13	14	15	16
A	1	1	1	1	1	1	1
B	1	1	1	1	1	1	1
C	1	1	1	1	1	1	1

B08



	10	11	12	13	14	15	16
A	2	2	2	2	2	2	2
B	2	2	2	2	2	2	2
C	2	2	2	2	2	2	2

B11



	10	11	12	13	14	15	16
A	7	7	7	7	7	7	7
B	10	10	10	10	10	10	10
C	10	10	10	10	10	10	10

B12



	10	11	12	13	14	15	16
A	7	7	7	7	7	7	7
B	10	10	10	10	10	10	10
C	10	10	10	10	10	10	10

B13



	10	11	12	13	14	15	16
A	6	6	6	6	6	6	6
B	6	6	6	6	6	6	6
C	6	6	6	6	6	6	6

B17



	10	11	12	13	14	15	16
A	1	1	1	1	1	1	1
B	1	1	1	1	1	1	1
C	1	1	1	1	1	1	1

B23



	10	11	12	13	14	15	16
A	6	6	6	6	6	6	6
B	7	7	7	7	7	7	7
C	8	8	8	8	8	8	8

B27



	10	11	12	13	14	15	16
A	12	12	12	12	12	12	12
B	14	14	14	14	14	14	14
C	16	16	16	16	16	16	16

B36



	10	11	12	13	14	15	16
A	2	2	2	2	2	2	2
B	3	3	3	3	3	3	3
C	3	3	3	3	3	3	3

B37



	10	11	12	13	14	15	16
A	2	2	2	2	2	2	2
B	3	3	3	3	3	3	3
C	3	3	3	3	3	3	3

B46



	10	11	12	13	14	15	16
A	2	2	2	2	2	2	2
B	2	2	2	2	2	2	2
C	2	2	2	2	2	2	2

B47



	10	11	12	13	14	15	16
A	1	1	1	1	1-2	2	2
B	1	1	1	1	1-2	2	2
C	1	1	1	1	1-2	2	2

B54



	10	11	12	13	14	15	16
A	27	29	31	33	35	37	39
B	37	40	43	46	49	52	55
C	38	41	44	47	50	53	56

B55



	10	11	12	13	14	15	16
A	27	29	31	33	35	37	39
B	37	40	43	46	49	52	55
C	38	41	44	47	50	53	56

B82



	10	11	12	13	14	15	16
A	19	21	23	25	27	29	31
B	28	31	34	37	40	43	46
C	28	31	34	37	40	43	46

B89



	10	11	12	13	14	15	16
A	6	6	6	6	6	6	6
B	7	7	7	7	7	7	7
C	8	8	8	8	8	8	8

BE3



	10	11	12	13	14	15	16
A	25	27	29	31	33	35	37
B	35	38	41	44	47	50	53
C	36	39	42	45	48	51	54

BE4



	10	11	12	13	14	15	16
A	1	1	1	1	1	1	1
B	1	1	1	1	1	1	1
C	1	1	1	1	1	1	1

BG6



	10	11	12	13	14	15	16
A	29	32	35	38	41	44	47
B	38	42	46	50	54	58	62
C	38	42	46	50	54	58	62

BS1



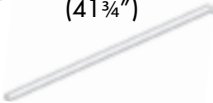
	10	11	12	13	14	15	16
A	1	1	1	1	1	1	1
B	1	1	1	1	1	1	1
C	1	1	1	1	1	1	1

C03 H = 935 mm
(36^{13/16}")



	10	11	12	13	14	15	16
A	7	7	7	7	7	7	7
B	8	8	8	8	8	8	8
C	9	9	9	9	9	9	9

C03 H = 1060 mm
(41^{3/4}")



	10	11	12	13	14	15	16
A	0	0	0	0	0	0	0
B	9	10	11	12	13	14	15
C	9	10	11	12	13	14	15

C03 H = 1095 mm
(43^{1/8}")



	10	11	12	13	14	15	16
A	9	10	11	12	13	14	15
B	0	0	0	0	0	0	0
C	0	0	0	0	0	0	0

C03 H = 1130 mm
(44^{1/2}")



	10	11	12	13	14	15	16
A	0	0	0	0	0	0	0
B	9	10	11	12	13	14	15
C	9	10	11	12	13	14	15

C03 H = 1190 mm
(46^{7/8}")



	10	11	12	13	14	15	16
A	9	10	11	12	13	14	15
B	9	10	11	12	13	14	15
C	9	10	11	12	13	14	15

C13



	10	11	12	13	14	15	16
A	29	32	35	38	41	44	47
B	38	42	46	50	54	58	62
C	38	42	46	50	54	58	62

C29



	10	11	12	13	14	15	16
A	6	6	6	6	6	6	6
B	9	9	9	9	9	9	9
C	9	9	9	9	9	9	9

C31



	10	11	12	13	14	15	16
A	37	40	43	46	49	52	55
B	47	51	55	59	63	67	71
C	48	52	56	60	64	68	72

C36



	10	11	12	13	14	15	16
A	1	1	1	1	1	1	1
B	1	1	1	1	1	1	1
C	1	1	1	1	1	1	1

C87



	10	11	12	13	14	15	16
A	4	4	4	4	4	4	4
B	4	4	4	4	4	4	4
C	4	4	4	4	4	4	4

C92



	10	11	12	13	14	15	16
A	2	2	2	2	2	2	2
B	2	2	2	2	2	2	2
C	2	2	2	2	2	2	2

CC5



	10	11	12	13	14	15	16
A	27	29	31	33	35	37	39
B	37	40	43	46	49	52	55
C	38	41	44	47	50	53	56

CC6



	10	11	12	13	14	15	16
A	27	29	31	33	35	37	39
B	37	40	43	46	49	52	55
C	38	41	44	47	50	53	56

CL7



	10	11	12	13	14	15	16
A	1	1	1	1	1	1	1
B	1	1	1	1	1	1	1
C	1	1	1	1	1	1	1

CL8



	10	11	12	13	14	15	16
A	1	1	1	1	1	1	1
B	1	1	1	1	1	1	1
C	1	1	1	1	1	1	1

D01



	10	11	12	13	14	15	16
A	3	3	4	3	3	3	3
B	3	3	4	3	3	3	3
C	3	3	4	3	3	3	3

D02



	10	11	12	13	14	15	16
A	10	11	12	13	14	15	16
B	10	11	12	13	14	15	16
C	10	11	12	13	14	15	16

D03



	10	11	12	13	14	15	16
A	50	55	60	65	70	75	80
B	50	55	60	65	70	75	80
C	50	55	60	65	70	75	80

D04



	10	11	12	13	14	15	16
A	9	10	11	12	13	14	15
B	9	10	11	12	13	14	15
C	9	10	11	12	13	14	15

D05



	10	11	12	13	14	15	16
A	1	1	1	1	1	1	1
B	1	1	1	1	1	1	1
C	0	0	0	0	0	0	0

D12



	10	11	12	13	14	15	16
A	0	0	0	0	0	0	0
B	0	0	0	0	0	0	0
C	1	1	1	1	1	1	1

D14



	10	11	12	13	14	15	16
A	1	1	1	1	1	1	1
B	1	1	1	1	1	1	1
C	1	1	1	1	1	1	1

D32



	10	11	12	13	14	15	16
A	29	32	35	38	41	44	47
B	38	42	46	50	54	58	62
C	38	42	46	50	54	58	62

D33



	10	11	12	13	14	15	16
A	29	32	35	38	41	44	47
B	38	42	46	50	54	58	62
C	38	42	46	50	54	58	62

E08



	10	11	12	13	14	15	16
A	1	1	1	1	1	1	1
B	1	1	1	1	1	1	1
C	1	1	1	1	1	1	1

F01



	10	11	12	13	14	15	16
A	8	8	8	8	8	8	8
B	9	9	9	9	9	9	9
C	10	10	10	10	10	10	10

F08



	10	11	12	13	14	15	16
A	4	4	4	4	4	4	4
B	6	6	6	6	6	6	6
C	6	6	6	6	6	6	6

F09



	10	11	12	13	14	15	16
A	2	2	2	2	2	2	2
B	3	3	3	3	3	3	3
C	3	3	3	3	3	3	3

G01



	10	11	12	13	14	15	16
A	1	1	1	1	1	1	1
B	1	1	1	1	1	1	1
C	1	1	1	1	1	1	1

G02



	10	11	12	13	14	15	16
A	2	2	2	2	2-3	3	3
B	2	2	2	2	2-3	3	3
C	2	2	2	2	2-3	3	3

G03



	10	11	12	13	14	15	16
A	1	1	1	1	1	1	1
B	1	1	1	1	1	1	1
C	1	1	1	1	1	1	1

H11



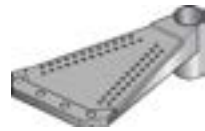
	10	11	12	13	14	15	16
A	18	20	22	24	26	28	30
B	27	30	33	36	39	42	45
C	27	30	33	39	39	42	45

L65



	10	11	12	13	14	15	16
A	9	10	11	12	13	14	15
B	0	0	0	0	0	0	0
C	0	0	0	0	0	0	0

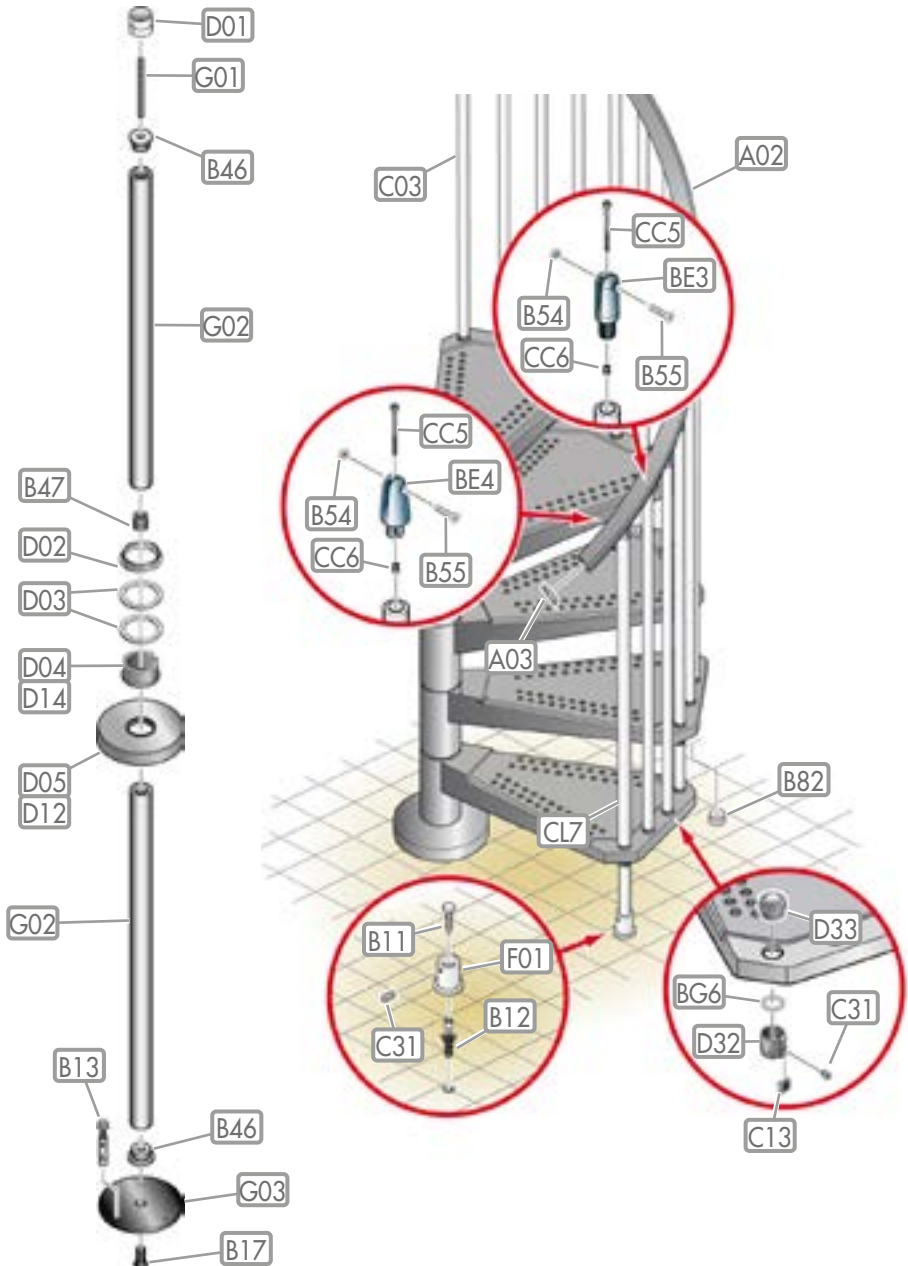
L65

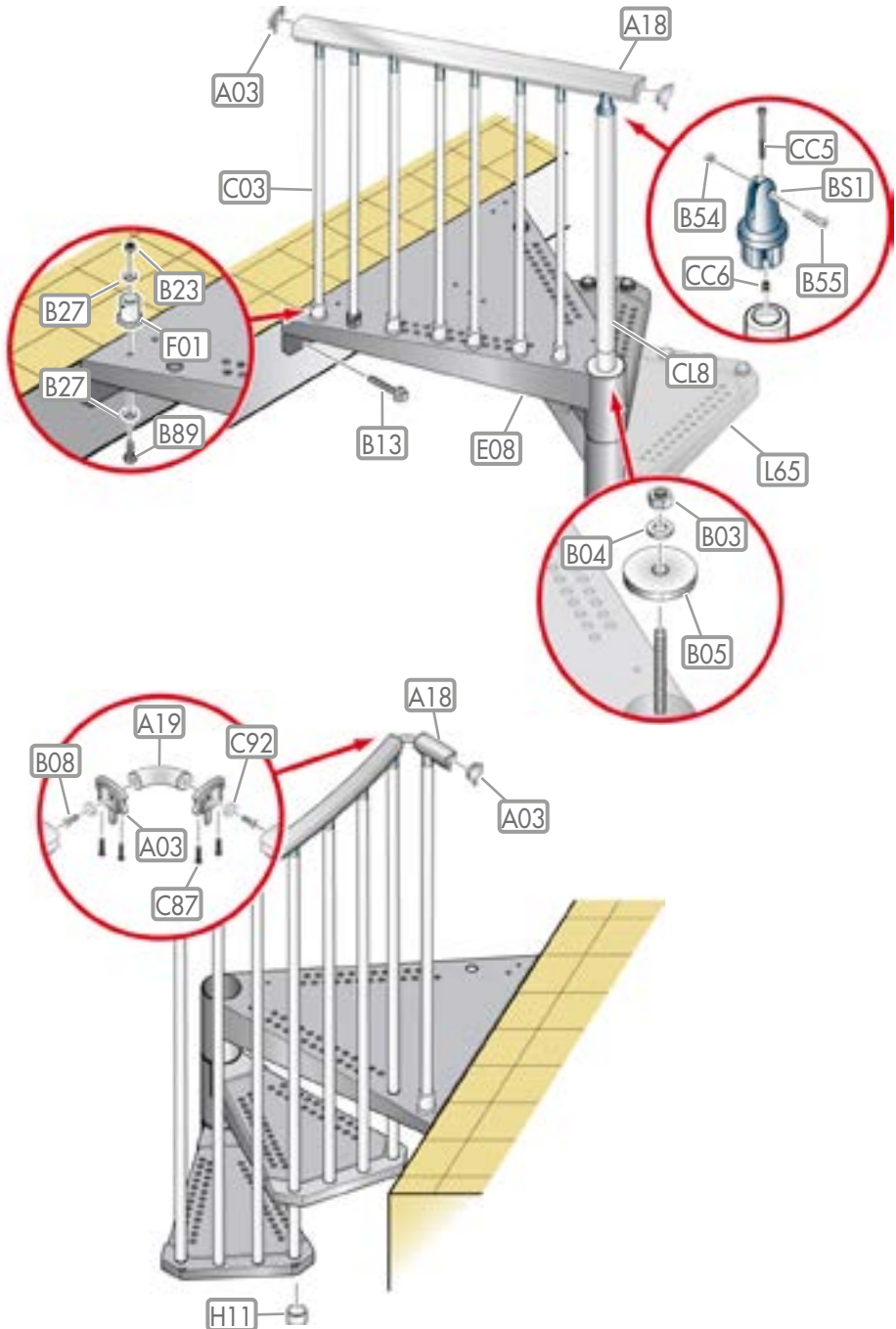


	10	11	12	13	14	15	16
A	0	0	0	0	0	0	0
B	9	10	11	12	13	14	15
C	9	10	11	12	13	14	15

X01







**IT) ATTENZIONE!****Leggere e seguire scrupolosamente queste istruzioni e tenere per future consultazioni.**

Eseguire l'installazione "a regola d'arte", utilizzando attrezzi idonei; seguire scrupolosamente le istruzioni di montaggio. Informarsi prima dell'installazione, sui regolamenti locali e nazionali da rispettare, in funzione della destinazione d'uso (privato principale, secondario, uffici, negozi,...).

FR) ATTENTION !**Lire et respecter scrupuleusement les présentes instructions ; les conserver pour toute autre consultation.**

Effectuer l'installation dans les règles de l'art en utilisant des outils appropriés ; suivre scrupuleusement les instructions de montage. Pour réaliser un montage conforme aux normes en vigueur, il faut s'informer avant l'installation quant aux réglementations locales et nationales à respecter, en fonction du domaine d'utilisation (résidence privée principale, secondaire, bureaux, magasins,...).

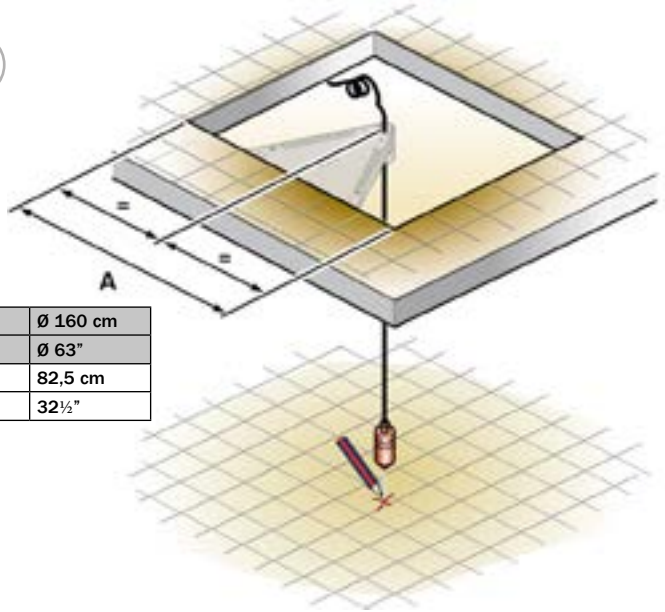
EN) WARNING!**Carefully read and strictly follow these instruction and keep them for future consultation.**

Carry out the installation in a "workmanlike" manner, strictly following the installation instructions and using suitable tools. Always consult your local building department for code requirements that must be respected depending on its destination of use (private, secondary, public...).

ES) ¡ATENCIÓN!**Leer y seguir estrictamente estas instrucciones y conservarlas para consultas futuras.**

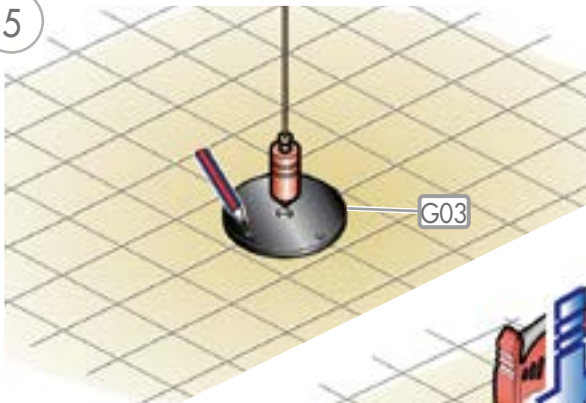
Realizar la instalación "según las reglas del arte", utilizando herramientas adecuadas; seguir estrictamente las instrucciones de montaje. Informarse antes de la instalación sobre los reglamentos locales y nacionales a respetar, en función del destino de uso (privado principal, secundario, oficinas, tiendas,...).

4

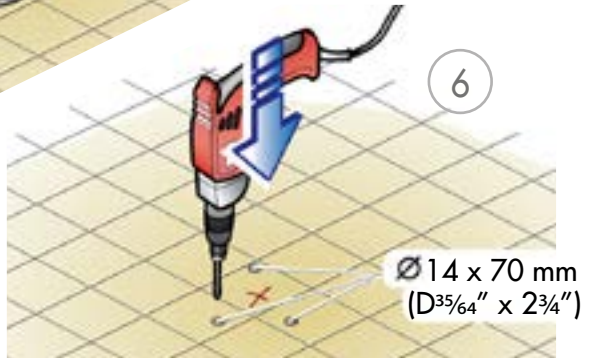


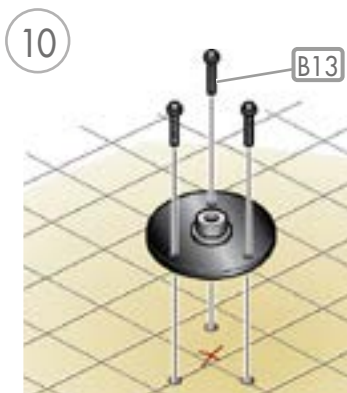
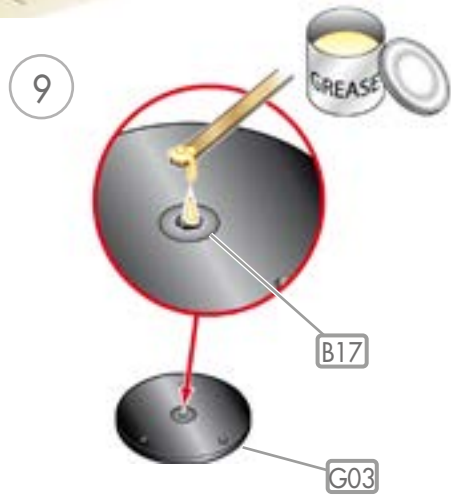
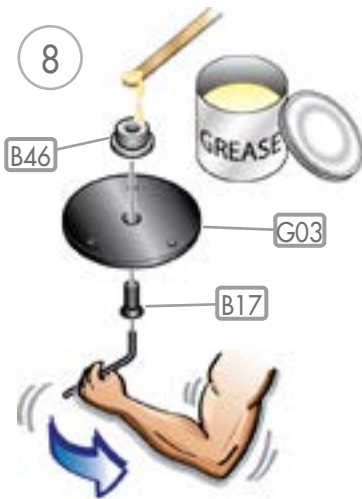
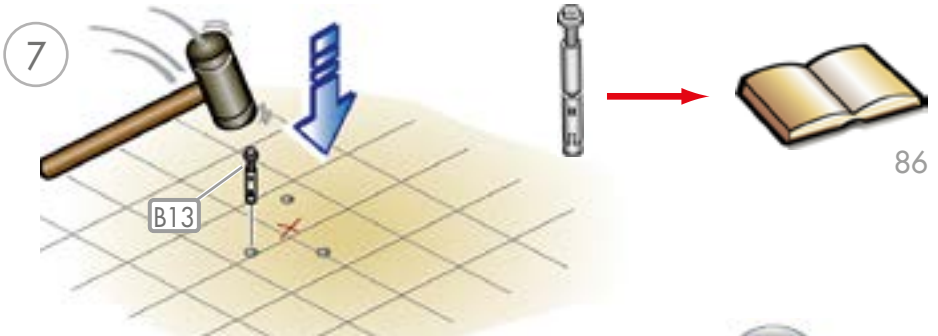
	Ø 120 cm	Ø 140 cm	Ø 160 cm
	Ø 47¼"	Ø 55½"	Ø 63"
L	62,5 cm	72,5 cm	82,5 cm
L	24¾"	28⅞"	32½"

5

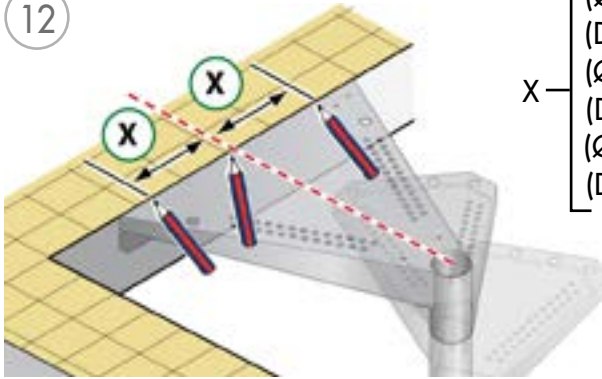


6



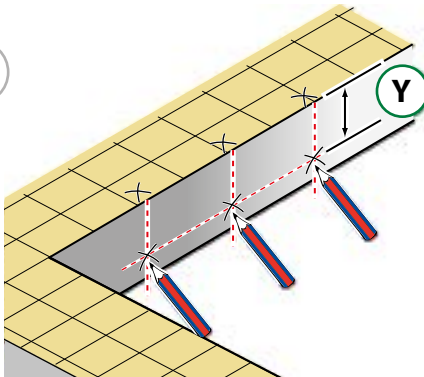


12

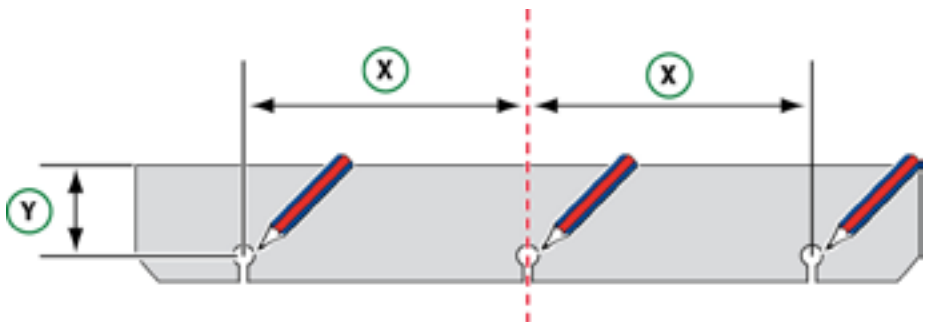


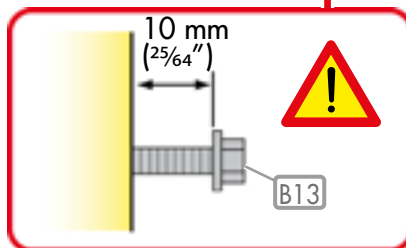
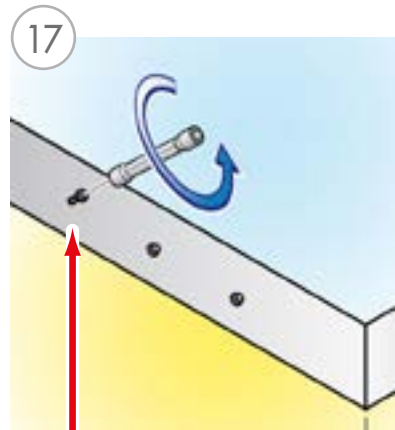
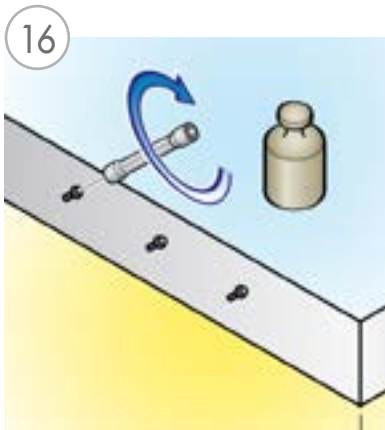
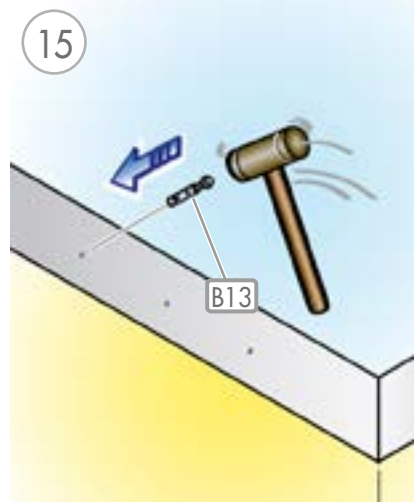
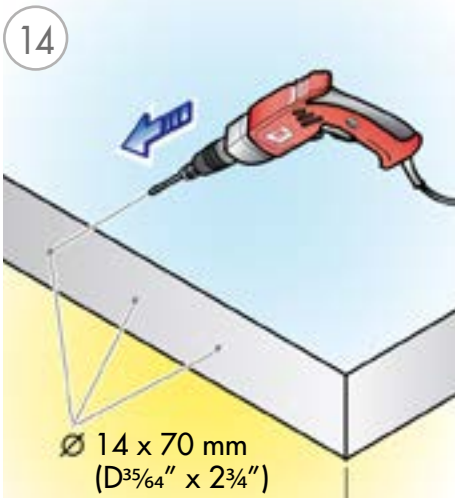
X — [(Ø 120 cm) = 29 cm
(D 47¼") = 11¹³/₃₂"
(Ø 140 cm) = 34,5 cm
(D 55⅛") = 13¹³/₃₂"
(Ø 160 cm) = 41 cm
(D 63") = 16⅞"

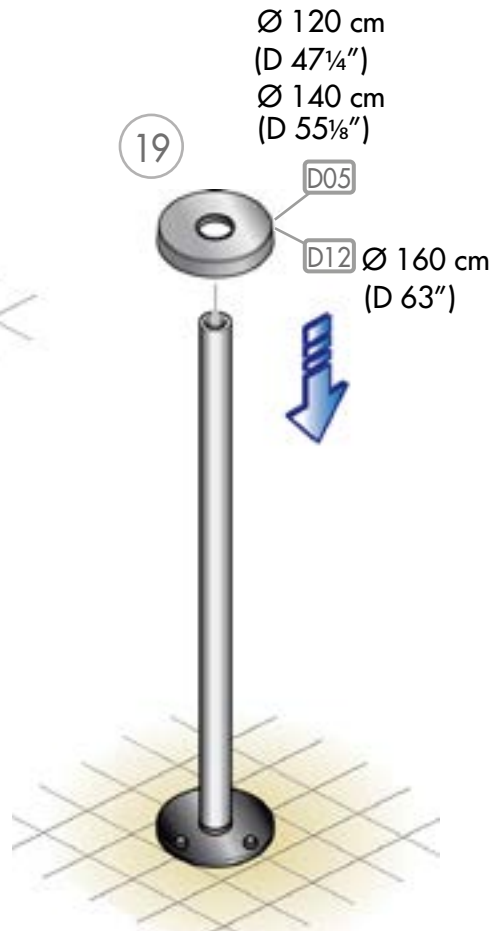
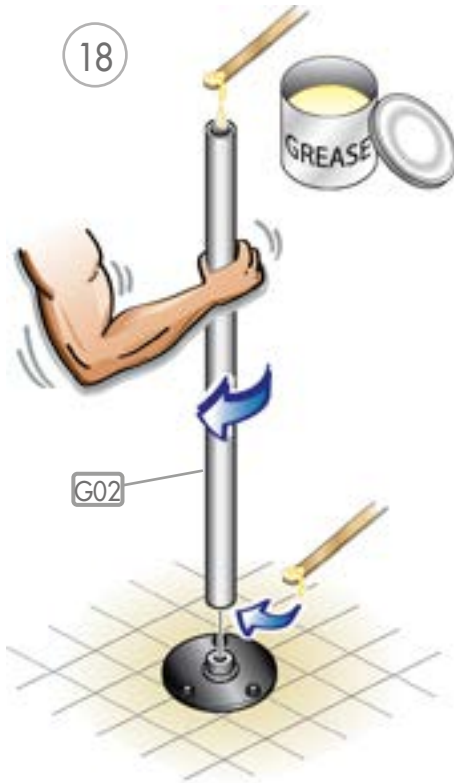
13



Y = 9,2 cm (35/8")







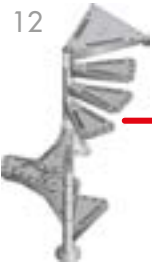
10



11



12



13



14

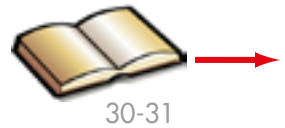
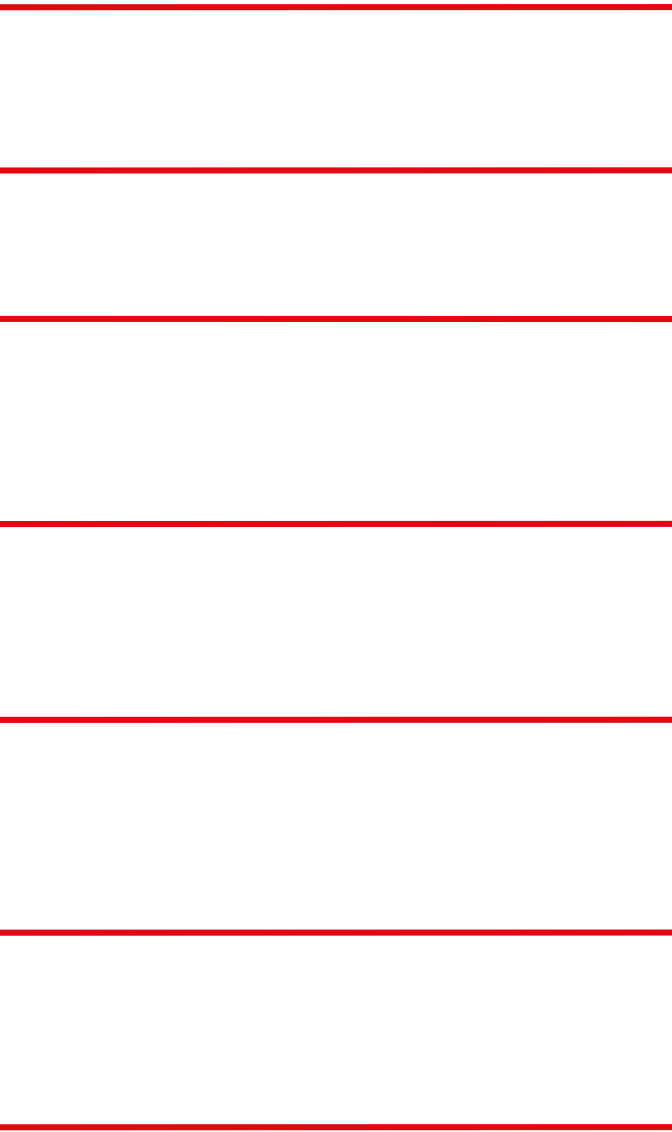


15

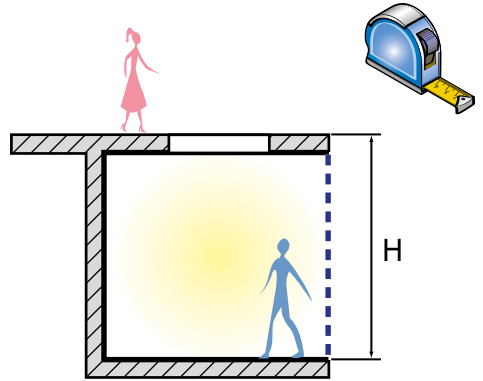


16



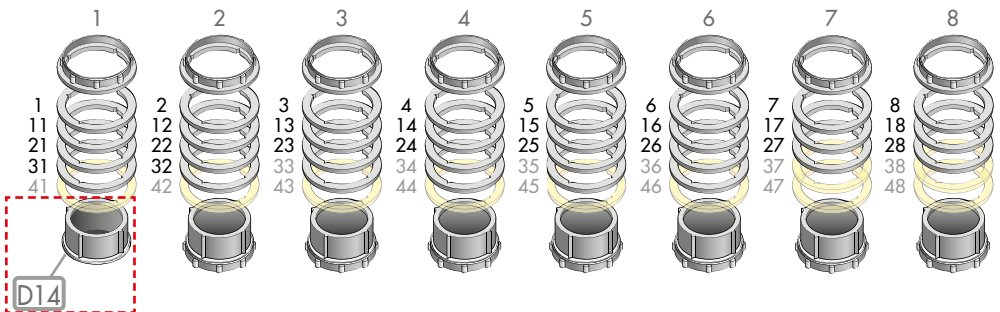


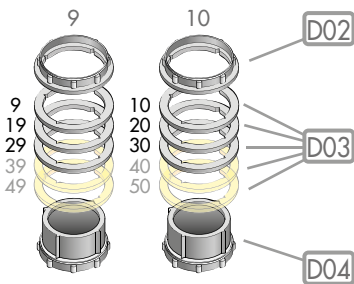
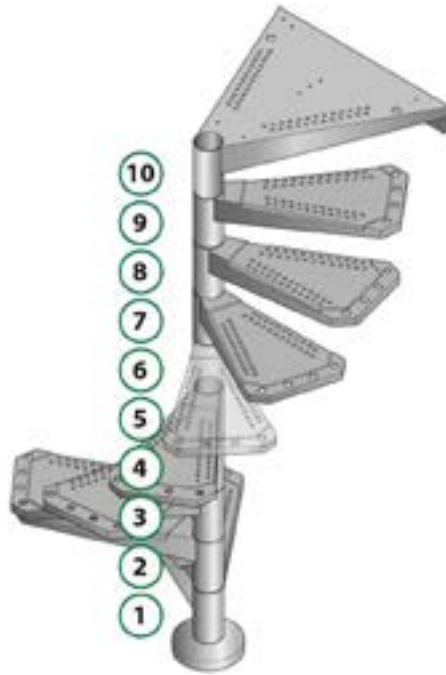
H cm	H inch	D02	D03	D04	D14
211	83 1/4"	10	0	9	1
212	83 7/16"	10	2	9	1
213	83 7/8"	10	4	9	1
214	84 1/4"	10	6	9	1
215	84 5/8"	10	8	9	1
216	85 1/16"	10	10	9	1
217	85 7/16"	10	12	9	1
218	85 13/16"	10	14	9	1
219	86 1/4"	10	16	9	1
220	86 5/8"	10	18	9	1
221	87"	10	20	9	1
222	87 3/8"	10	22	9	1
223	87 13/16"	10	24	9	1
224	88 3/16"	10	26	9	1
225	88 9/16"	10	28	9	1
226	89"	10	30	9	1
227	89 3/8"	10	32	9	1
228	89 3/4"	10	34	9	1
229	90 3/16"	10	36	9	1
230	90 9/16"	10	38	9	1
231	90 15/16"	10	40	9	1
232	91 5/16"	10	42	9	1
233	91 3/4"	10	44	9	1
234	92 1/8"	10	46	9	1
235	92 1/2"	10	48	9	1
236	92 15/16"	10	50	9	1



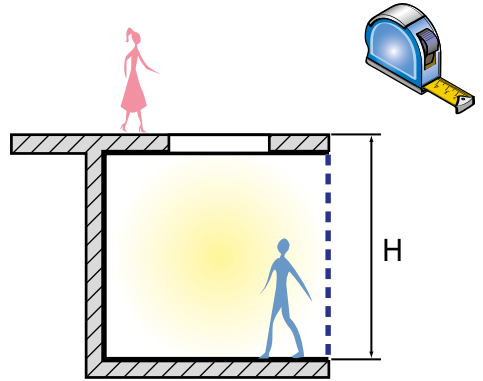
H = 227
(89 3/8")

- D02 = 10
- D03 = 32
- D04 = 9
- D14 = 1



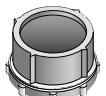
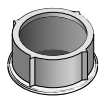


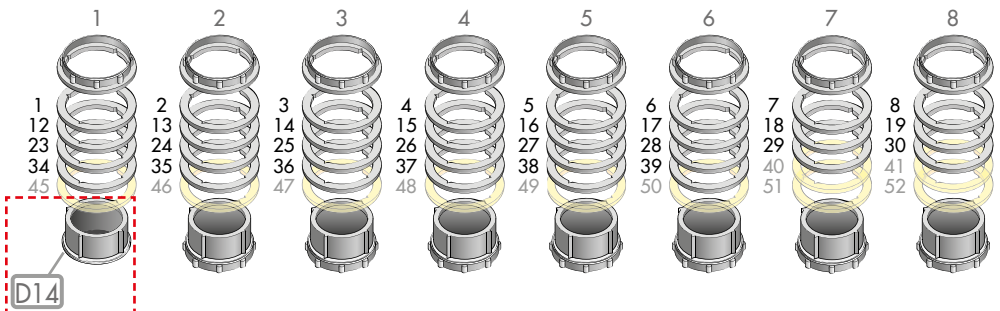


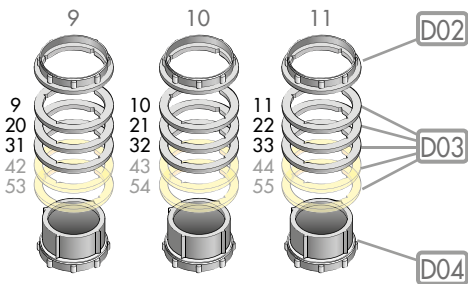
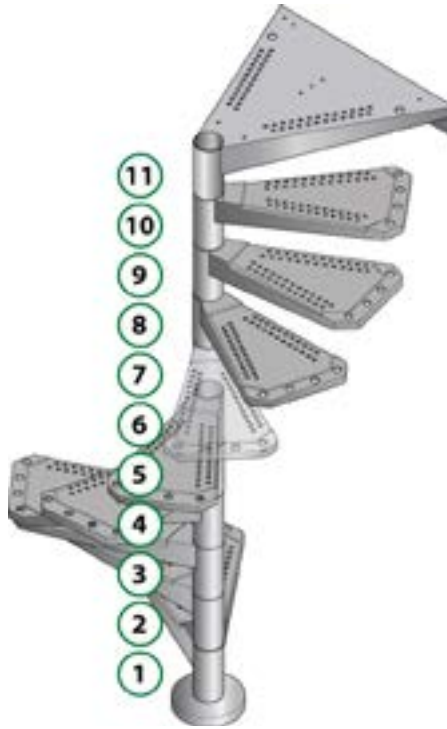
H cm	H inch	D02	D03	D04	D14
232	91 5/16	11	1	10	1
233	91 3/4	11	3	10	1
234	92 1/8	11	5	10	1
235	92 1/2	11	7	10	1
236	92 15/16	11	9	10	1
237	93 5/16	11	11	10	1
238	93 11/16	11	13	10	1
239	94 1/8	11	15	10	1
240	94 1/2	11	17	10	1
241	94 7/8	11	19	10	1
242	95 1/4	11	21	10	1
243	95 11/16	11	23	10	1
244	96 1/16	11	25	10	1
245	96 7/16	11	27	10	1
246	96 7/8	11	29	10	1
247	97 1/4	11	31	10	1
248	97 5/8	11	33	10	1
249	98 1/16	11	35	10	1
250	98 7/16	11	37	10	1
251	98 13/16	11	39	10	1
252	99 3/16	11	41	10	1
253	99 5/8	11	43	10	1
254	100	11	45	10	1
255	100 3/8	11	47	10	1
256	100 13/16	11	49	10	1
257	101 3/16	11	51	10	1
258	101 9/16	11	53	10	1
259	101 15/16	11	55	10	1



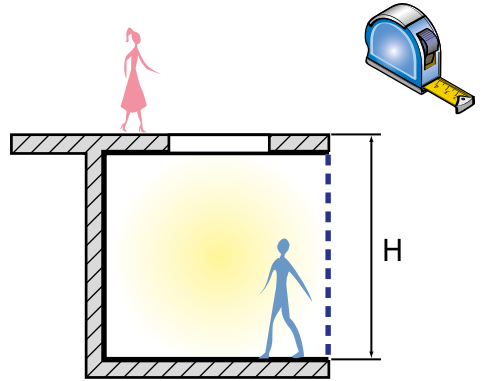
H = 251
(98 3/16")

- D02 = 11 
- D03 = 39 
- D04 = 10 
- D14 = 1 



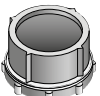



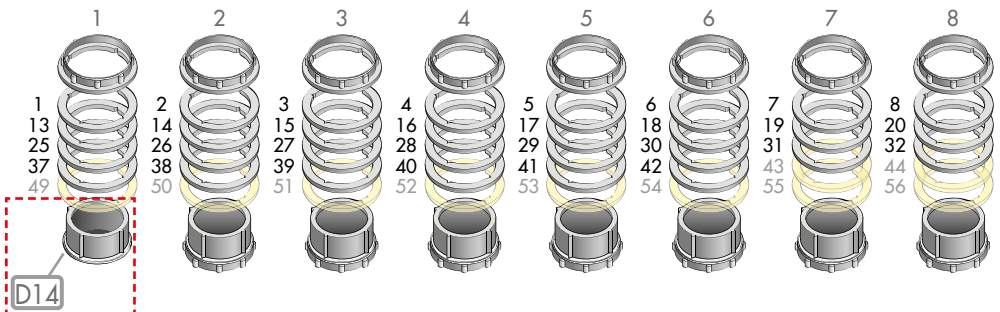


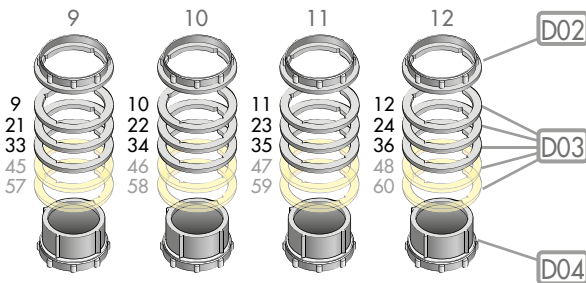
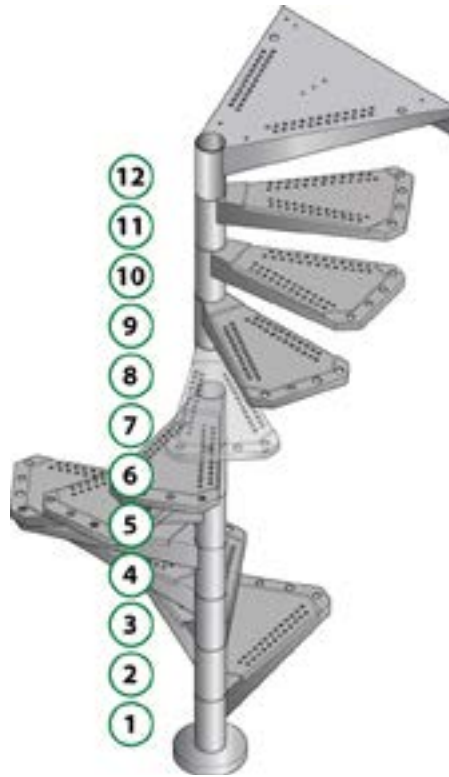
H cm	H inch	D02	D03	D04	D14
253	99 5/8	12	0	11	1
254	100	12	2	11	1
255	100 3/8	12	4	11	1
256	100 13/16	12	6	11	1
257	101 3/16	12	8	11	1
258	101 9/16	12	10	11	1
259	101 15/16	12	12	11	1
260	102 3/8	12	14	11	1
261	102 3/4	12	16	11	1
262	103 1/8	12	18	11	1
263	103 9/16	12	20	11	1
264	103 15/16	12	22	11	1
265	104 5/16	12	24	11	1
266	104 3/4	12	26	11	1
267	105 1/8	12	28	11	1
268	105 1/2	12	30	11	1
269	105 7/8	12	32	11	1
270	106 5/16	12	34	11	1
271	106 11/16	12	36	11	1
272	107 1/16	12	38	11	1
273	107 1/2	12	40	11	1
274	107 7/8	12	42	11	1
275	108 1/4	12	44	11	1
276	108 11/16	12	46	11	1
277	109 1/8	12	48	11	1
278	109 7/16	12	50	11	1
279	109 13/16	12	52	11	1
280	110 1/4	12	54	11	1
281	110 5/8	12	56	11	1
282	111	12	58	11	1
283	111 7/16	12	60	11	1



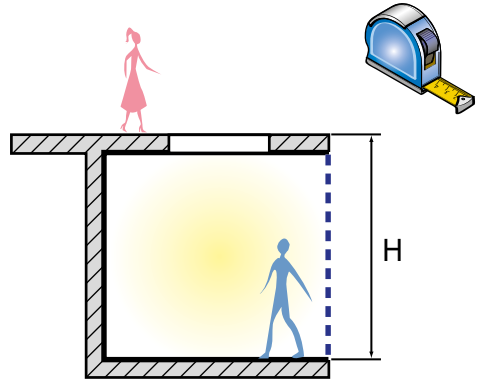
H = 274
(107 7/8")

- D02 = 12 
- D03 = 42 
- D04 = 11 
- D14 = 1 



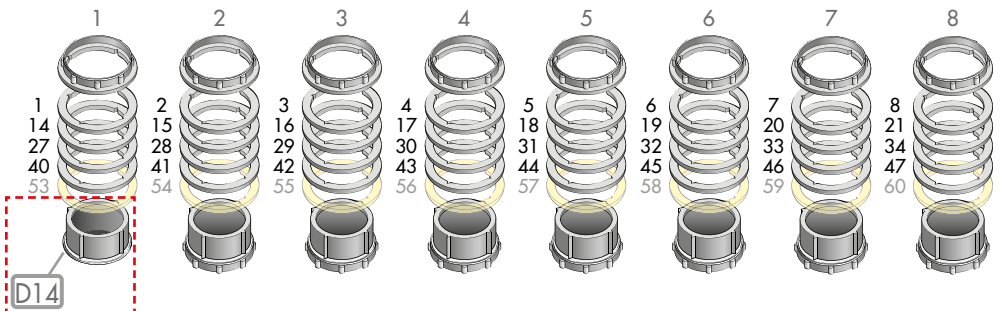


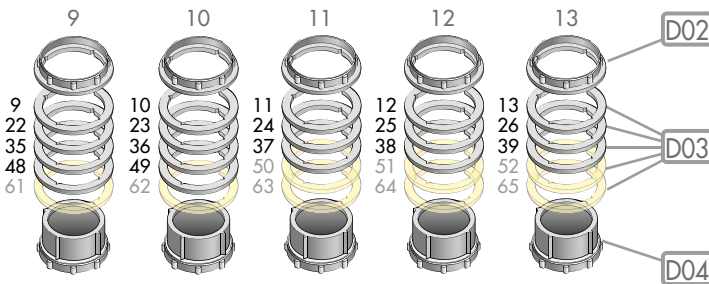
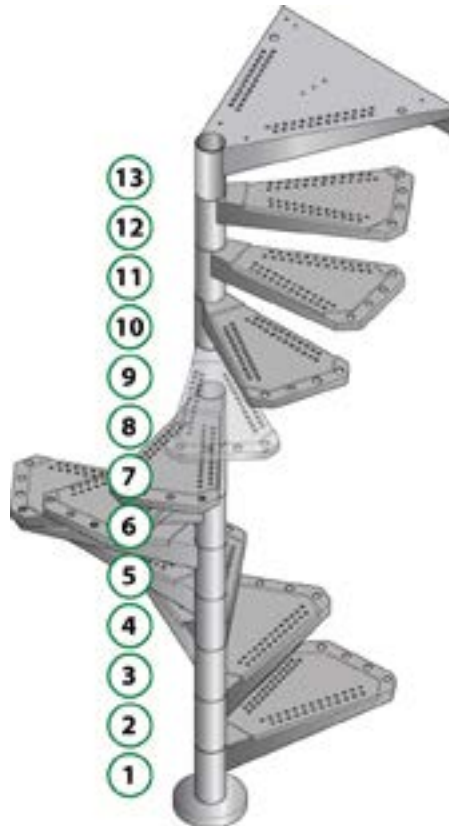
H cm	H inch	D02	D03	D04	D14
274	107 ⁷ / ₈	13	1	12	1
275	108 ¹ / ₄	13	3	12	1
276	108 ¹¹ / ₁₆	13	5	12	1
277	109 ¹ / ₁₆	13	7	12	1
278	109 ³ / ₁₆	13	9	12	1
279	109 ¹³ / ₁₆	13	11	12	1
280	110 ¹ / ₄	13	13	12	1
281	110 ⁵ / ₈	13	15	12	1
282	111	13	17	12	1
283	111 ⁷ / ₁₆	13	19	12	1
284	111 ¹³ / ₁₆	13	21	12	1
285	112 ³ / ₁₆	13	23	12	1
286	112 ⁵ / ₈	13	25	12	1
287	113	13	27	12	1
288	113 ³ / ₈	13	29	12	1
289	113 ³ / ₄	13	31	12	1
290	114 ³ / ₁₆	13	33	12	1
291	114 ⁹ / ₁₆	13	35	12	1
292	114 ¹⁵ / ₁₆	13	37	12	1
293	115 ³ / ₈	13	39	12	1
294	115 ³ / ₄	13	41	12	1
295	116 ¹ / ₈	13	43	12	1
296	116 ⁹ / ₁₆	13	45	12	1
297	116 ¹⁵ / ₁₆	13	47	12	1
298	117 ³ / ₁₆	13	49	12	1
299	117 ¹ / ₁₆	13	51	12	1
300	118 ¹ / ₈	13	53	12	1
301	118 ¹ / ₂	13	55	12	1
302	118 ⁷ / ₈	13	57	12	1
303	119 ⁵ / ₁₆	13	59	12	1
304	119 ¹¹ / ₁₆	13	61	12	1
305	120 ¹ / ₁₆	13	63	12	1
306	120 ¹ / ₂	13	65	12	1



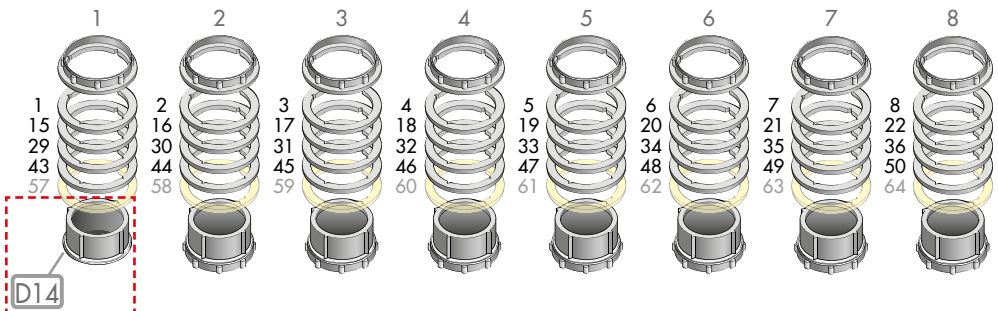
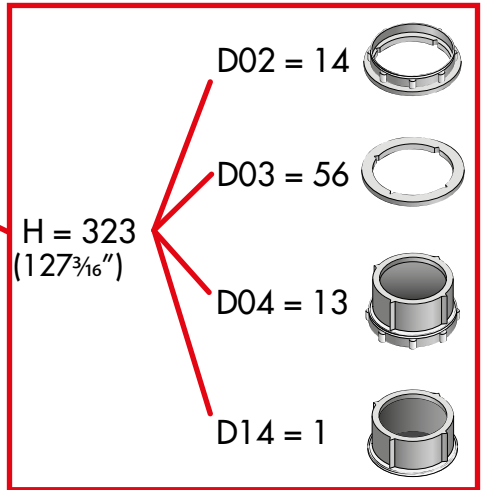
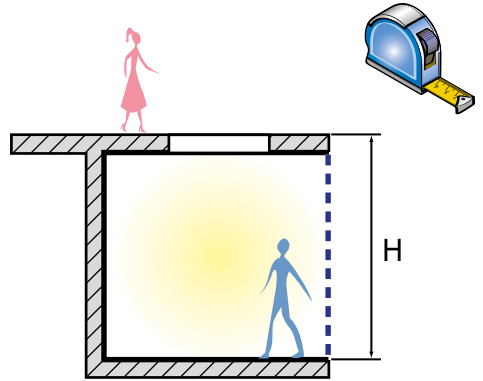
H = 298
(117 ⁵/₁₆")

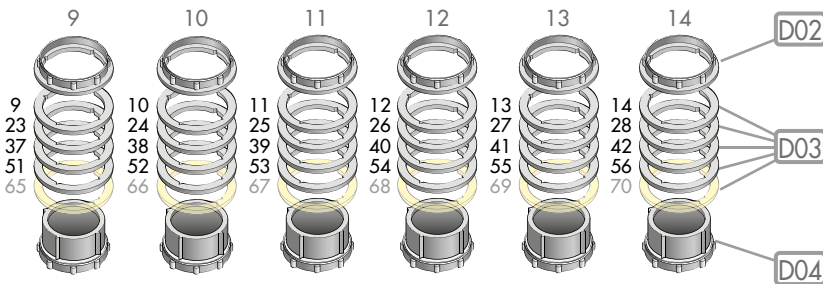
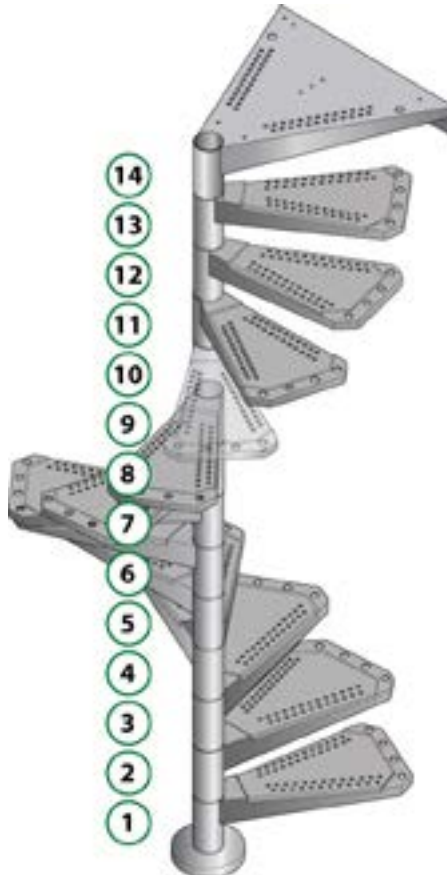
- D02 = 13
- D03 = 49
- D04 = 12
- D14 = 1



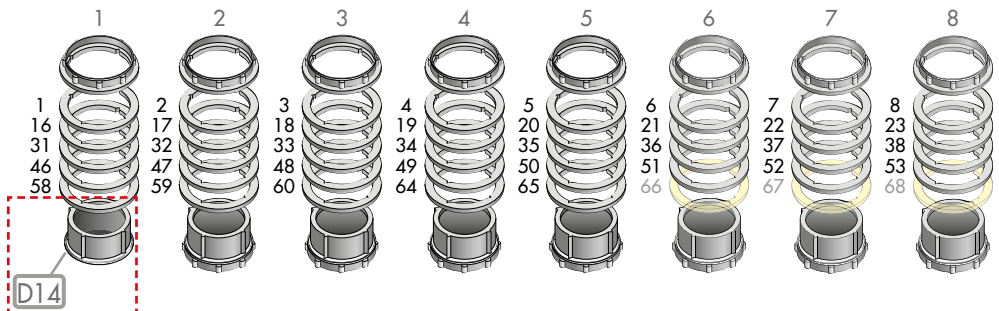
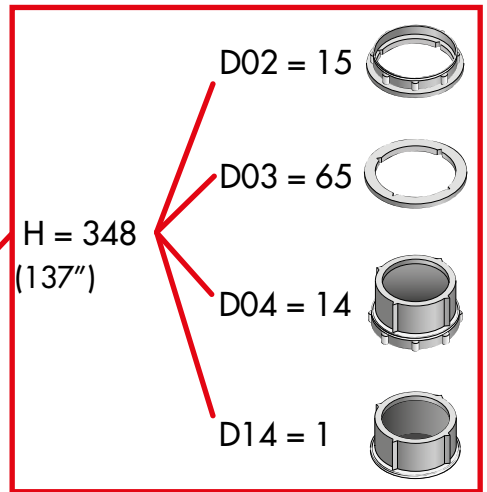
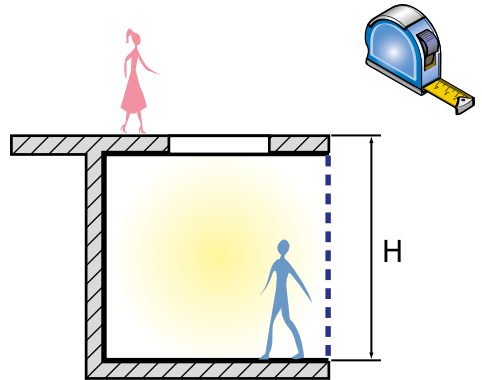


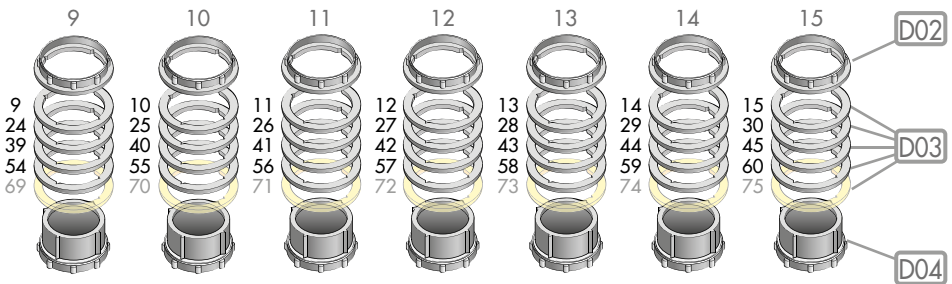
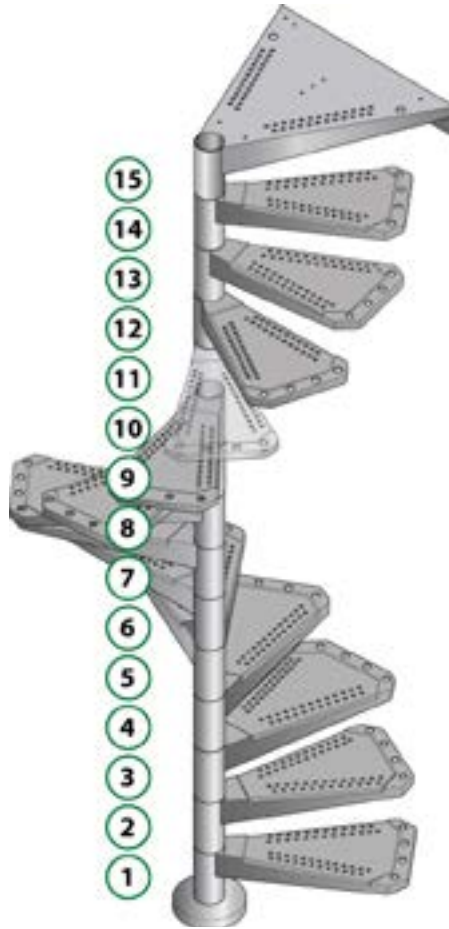
H cm	H inch	D02	D03	D04	D14
295	116 1/8	14	0	13	1
296	116 1/8	14	2	13	1
297	116 15/16	14	4	13	1
298	117 5/16	14	6	13	1
299	117 11/16	14	8	13	1
300	118 1/8	14	10	13	1
301	118 1/2	14	12	13	1
302	118 7/8	14	14	13	1
303	119 5/16	14	16	13	1
304	119 11/16	14	18	13	1
305	120 1/16	14	20	13	1
306	120 1/2	14	22	13	1
307	120 7/8	14	24	13	1
308	121 1/4	14	26	13	1
309	121 5/8	14	28	13	1
310	122 1/16	14	30	13	1
311	122 7/16	14	32	13	1
312	122 13/16	14	34	13	1
313	123 1/4	14	36	13	1
314	123 5/8	14	38	13	1
315	124	14	40	13	1
316	124 7/16	14	42	13	1
317	124 13/16	14	44	13	1
318	125 3/16	14	46	13	1
319	125 9/16	14	48	13	1
320	126	14	50	13	1
321	126 3/8	14	52	13	1
322	126 3/4	14	54	13	1
323	127 3/16	14	56	13	1
324	127 9/16	14	58	13	1
325	127 15/16	14	60	13	1
326	128 3/8	14	62	13	1
327	128 3/4	14	64	13	1
328	129 1/8	14	66	13	1
329	129 1/2	14	68	13	1
330	129 15/16	14	70	13	1



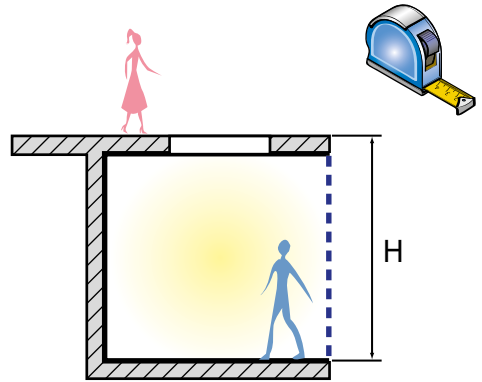


H cm	H inch	D02	D03	D04	D14
316	124 ⁷ / ₁₆	15	1	14	1
317	124 ¹³ / ₁₆	15	3	14	1
318	125 ³ / ₁₆	15	5	14	1
319	125 ⁹ / ₁₆	15	7	14	1
320	126	15	9	14	1
321	126 ³ / ₈	15	11	14	1
322	126 ³ / ₄	15	13	14	1
323	127 ³ / ₁₆	15	15	14	1
324	127 ⁹ / ₁₆	15	17	14	1
325	127 ¹⁵ / ₁₆	15	19	14	1
326	128 ³ / ₈	15	21	14	1
327	128 ³ / ₄	15	23	14	1
328	129 ¹ / ₈	15	25	14	1
329	129 ¹ / ₂	15	27	14	1
330	129 ¹⁵ / ₁₆	15	29	14	1
331	130 ⁵ / ₁₆	15	31	14	1
332	130 ¹¹ / ₁₆	15	33	14	1
333	131 ¹ / ₈	15	35	14	1
334	131 ¹ / ₂	15	37	14	1
335	131 ⁷ / ₈	15	39	14	1
336	132 ⁵ / ₁₆	15	41	14	1
337	132 ¹¹ / ₁₆	15	43	14	1
338	133 ¹ / ₁₆	15	45	14	1
339	133 ⁷ / ₁₆	15	47	14	1
340	133 ⁷ / ₈	15	49	14	1
341	134 ¹ / ₄	15	51	14	1
342	134 ⁵ / ₈	15	53	14	1
343	135 ¹⁰ / ₁₆	15	55	14	1
344	135 ⁷ / ₁₆	15	57	14	1
345	135 ¹³ / ₁₆	15	59	14	1
346	136 ¹ / ₄	15	61	14	1
347	136 ⁵ / ₈	15	63	14	1
348	137	15	65	14	1
349	137 ³ / ₈	15	67	14	1
350	137 ¹³ / ₁₆	15	69	14	1
351	138 ³ / ₁₆	15	71	14	1
352	138 ⁹ / ₁₆	15	73	14	1
353	139	15	75	14	1



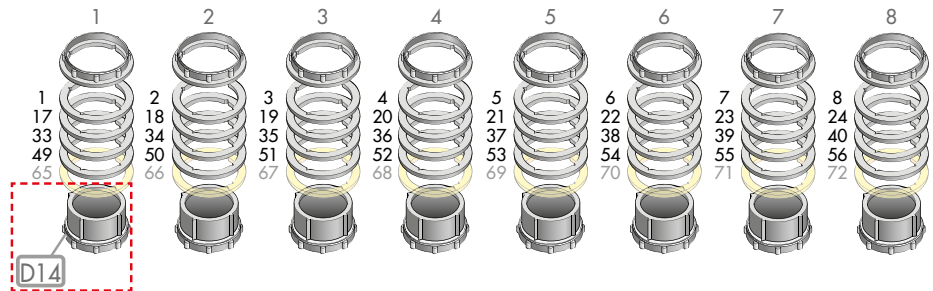


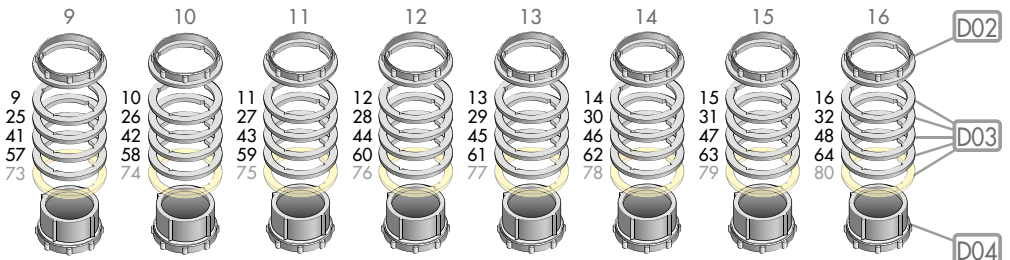
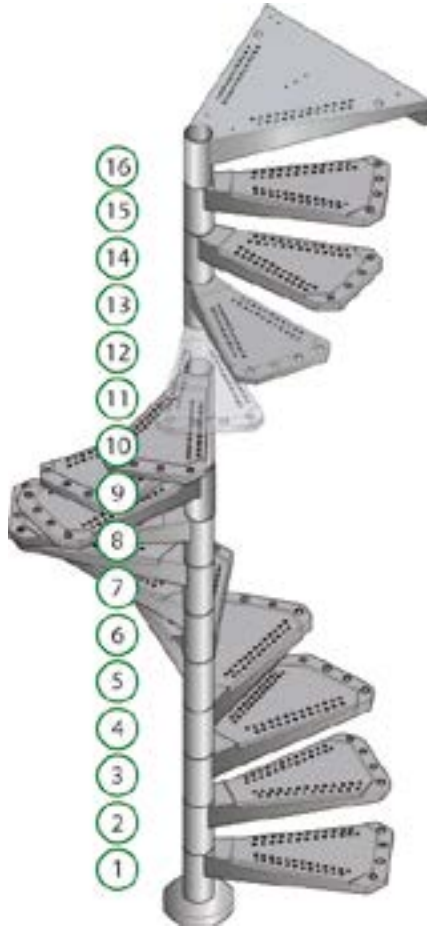
H cm	H inch	D02	D03	D04	D14
337	132 ¹¹ / ₁₆	16	0	15	1
338	133 ¹ / ₁₆	16	2	15	1
339	133 ⁷ / ₁₆	16	4	15	1
340	133 ⁷ / ₈	16	6	15	1
341	134 ¹ / ₄	16	8	15	1
342	134 ⁵ / ₈	16	10	15	1
343	135 ¹ / ₁₆	16	12	15	1
344	135 ⁷ / ₁₆	16	14	15	1
345	135 ¹³ / ₁₆	16	16	15	1
346	136 ¹ / ₄	16	18	15	1
347	136 ⁵ / ₈	16	20	15	1
348	137 ⁷ / ₁₆	16	22	15	1
349	137 ³ / ₈	16	24	15	1
350	137 ¹³ / ₁₆	16	26	15	1
351	138 ³ / ₁₆	16	28	15	1
352	138 ⁹ / ₁₆	16	30	15	1
353	139	16	32	15	1
354	139 ³ / ₈	16	34	15	1
355	139 ³ / ₄	16	36	15	1
356	140 ³ / ₁₆	16	38	15	1
357	140 ⁹ / ₁₆	16	40	15	1
358	140 ¹⁵ / ₁₆	16	42	15	1
359	141 ⁵ / ₁₆	16	44	15	1
360	141 ³ / ₄	16	46	15	1
361	142 ¹ / ₈	16	48	15	1
362	142 ¹ / ₂	16	50	15	1
363	142 ¹⁵ / ₁₆	16	52	15	1
364	143 ⁵ / ₁₆	16	54	15	1
365	143 ¹¹ / ₁₆	16	56	15	1
366	144 ¹ / ₈	16	58	15	1
367	144 ¹ / ₂	16	60	15	1
368	144 ⁷ / ₈	16	62	15	1
369	145 ¹ / ₄	16	64	15	1
370	145 ¹¹ / ₁₆	16	66	15	1
371	146 ¹ / ₁₆	16	68	15	1
372	146 ⁷ / ₁₆	16	70	15	1
373	146 ⁷ / ₈	16	72	15	1
374	147 ¹ / ₄	16	74	15	1
375	147 ⁵ / ₈	16	76	15	1
376	148 ¹ / ₁₆	16	78	15	1
377	148 ⁷ / ₁₆	16	80	15	1

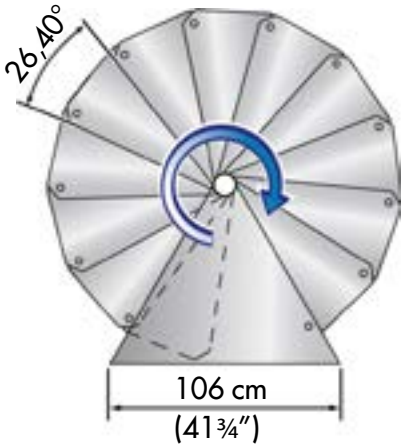


{

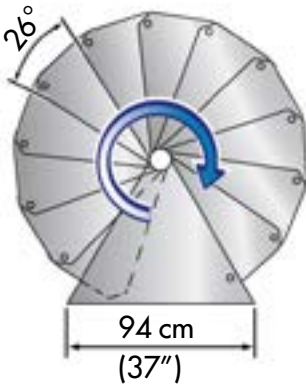
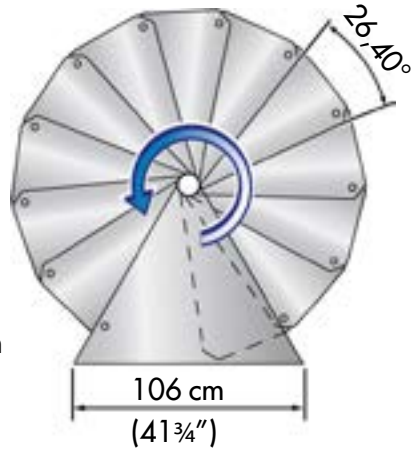
- D02 = 16
- D03 = 64
- D04 = 15
- D14 = 1



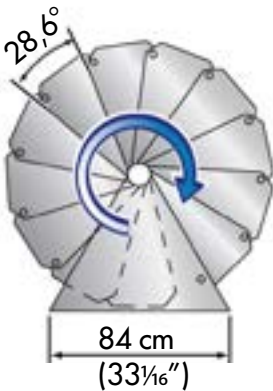
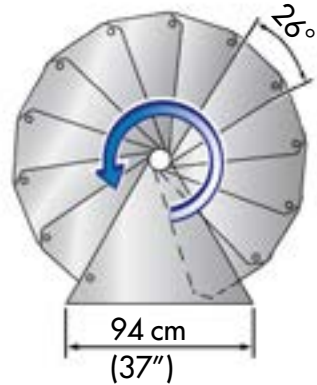




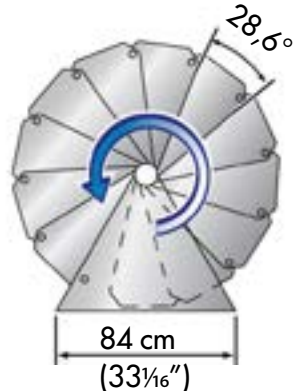
Ø 160 cm
(D 63

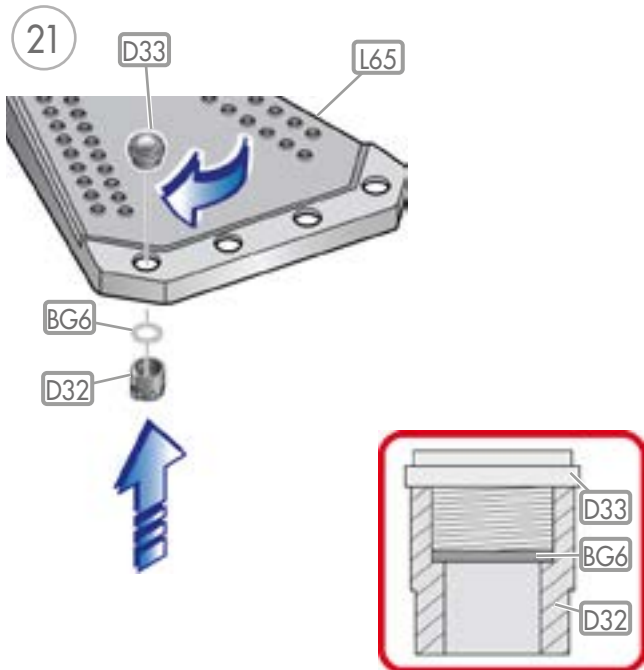
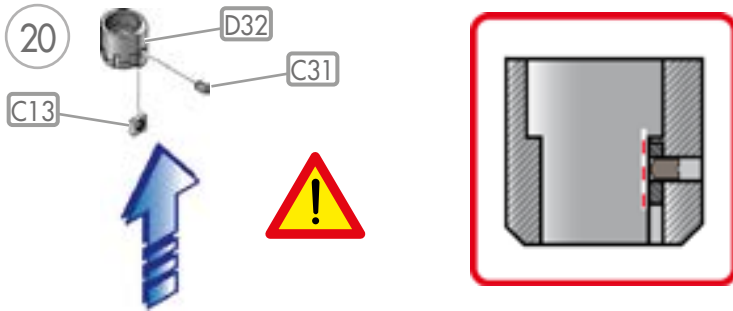


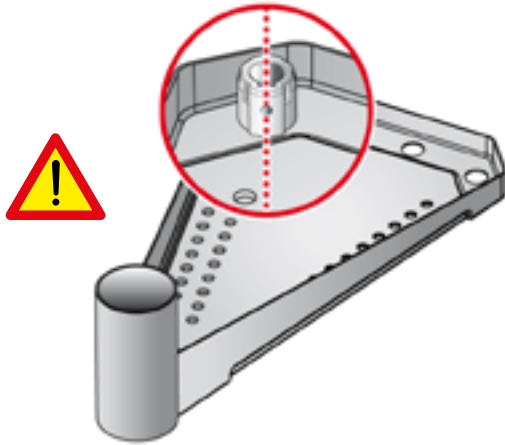
Ø 140 cm
(D 55¹/₈")



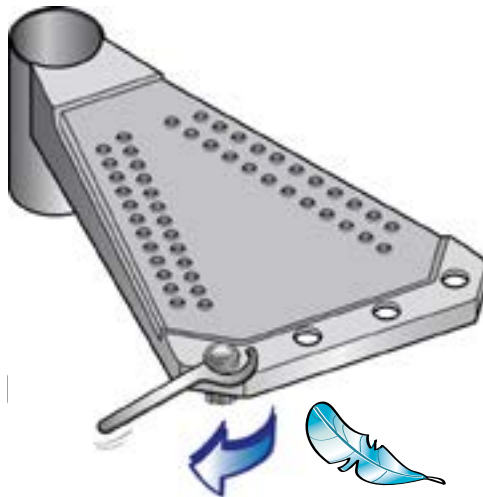
Ø 120 cm
(D 47¹/₄")

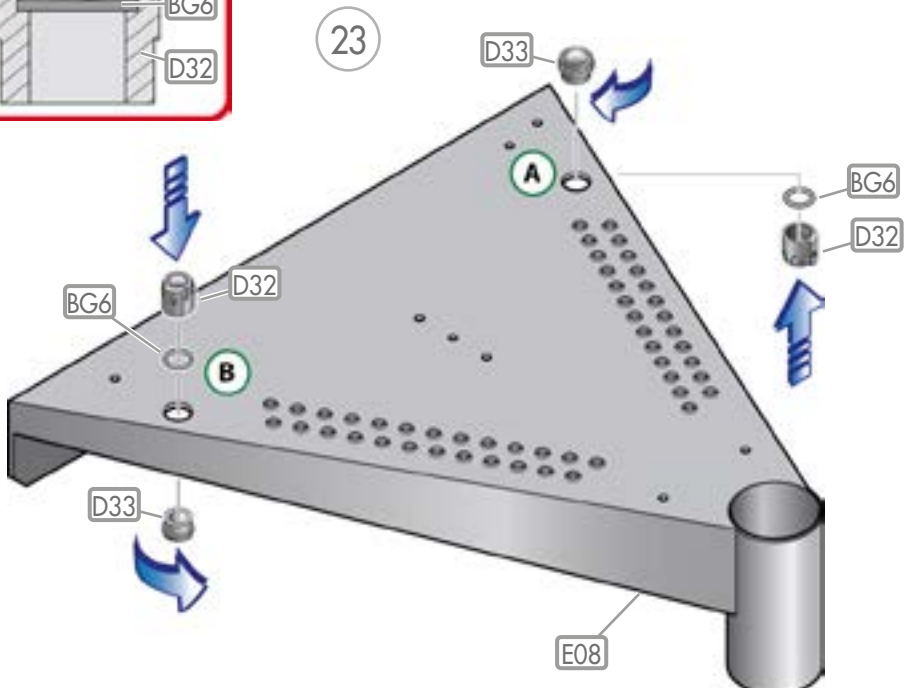
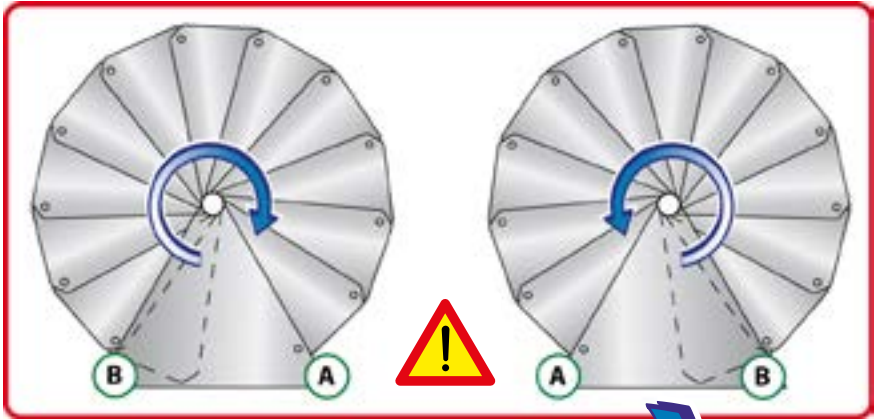


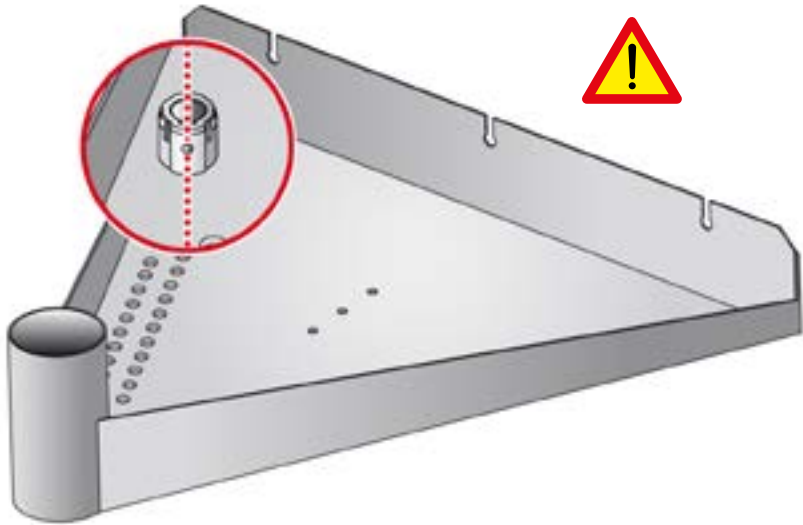




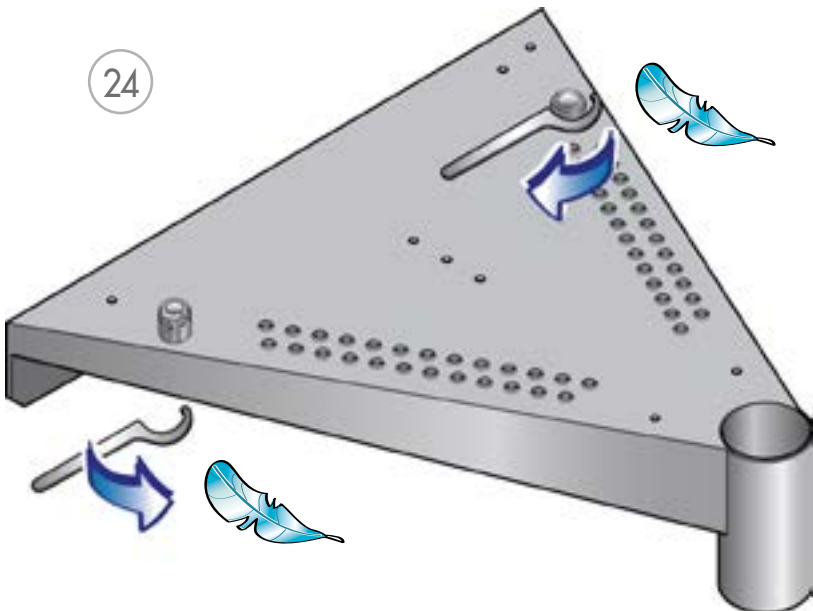
22

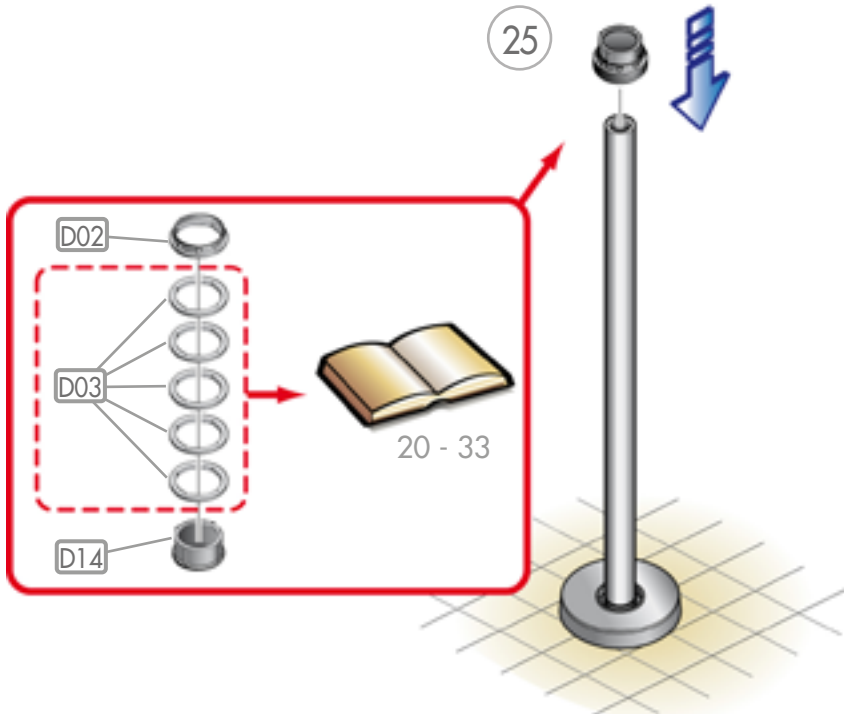


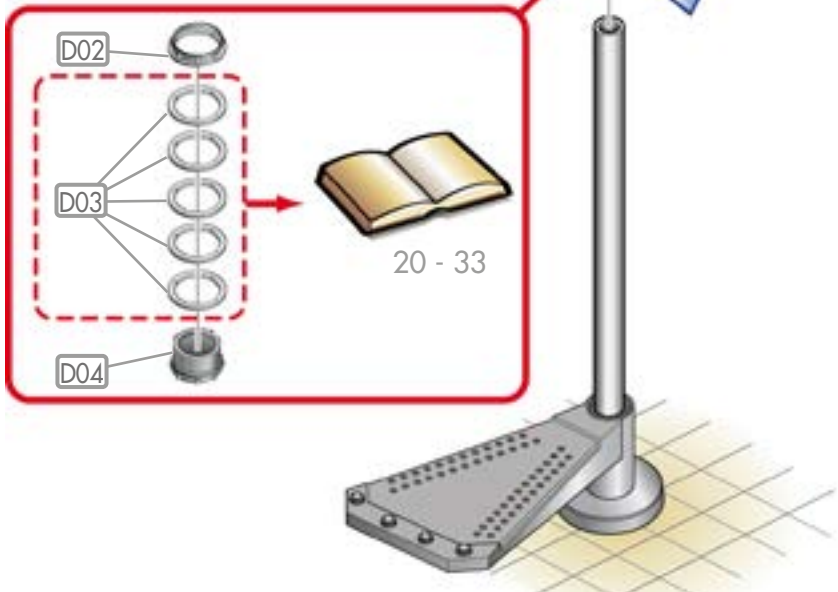
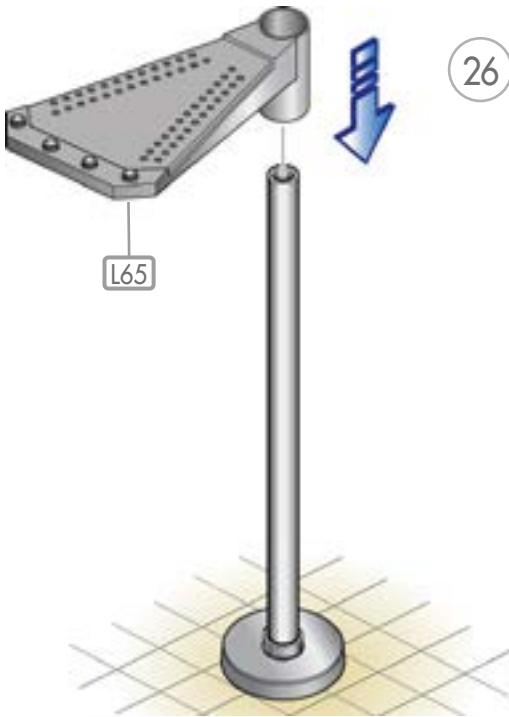


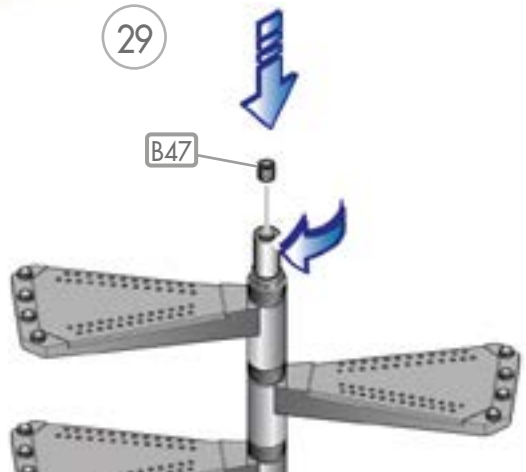
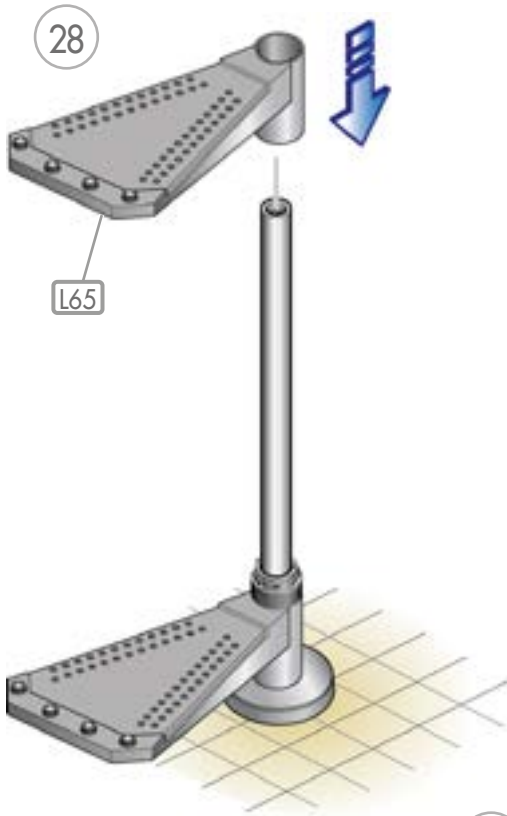


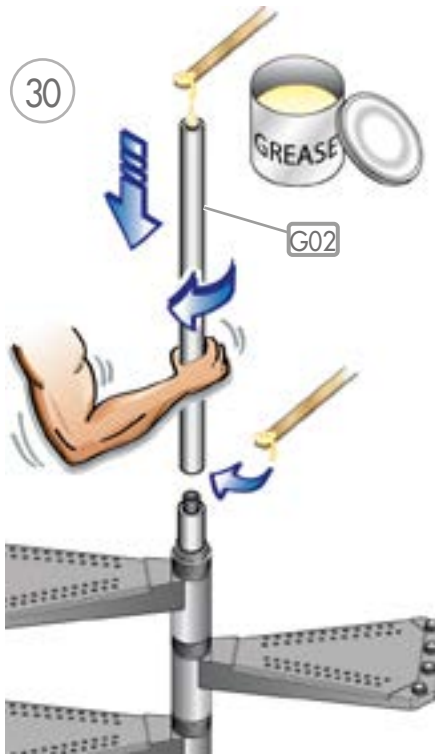
24

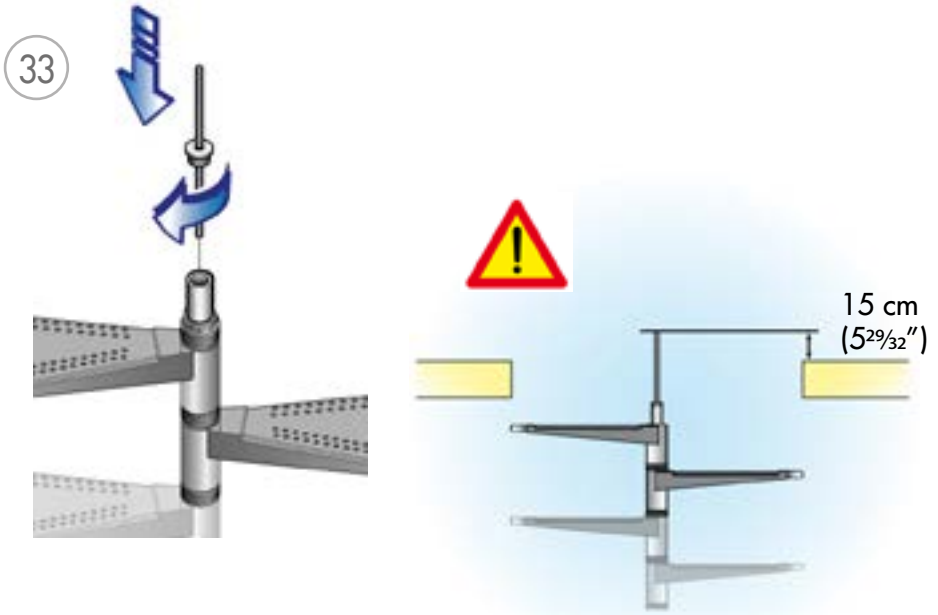
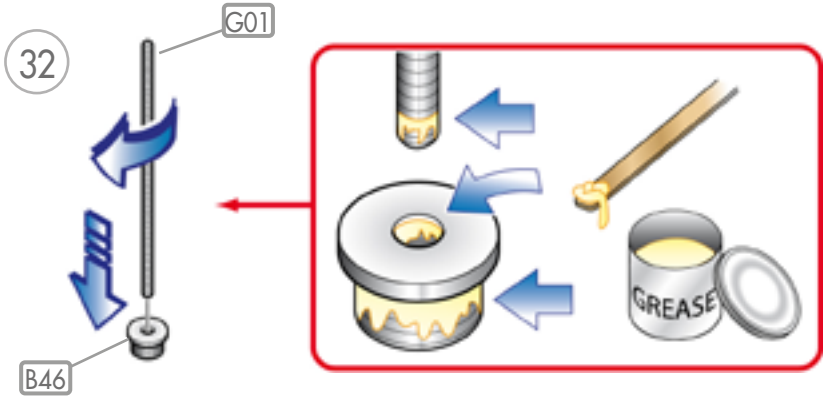


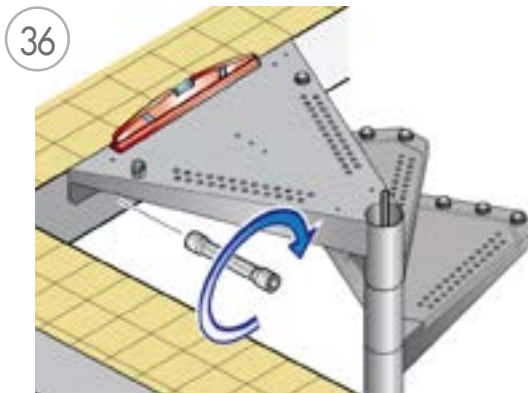
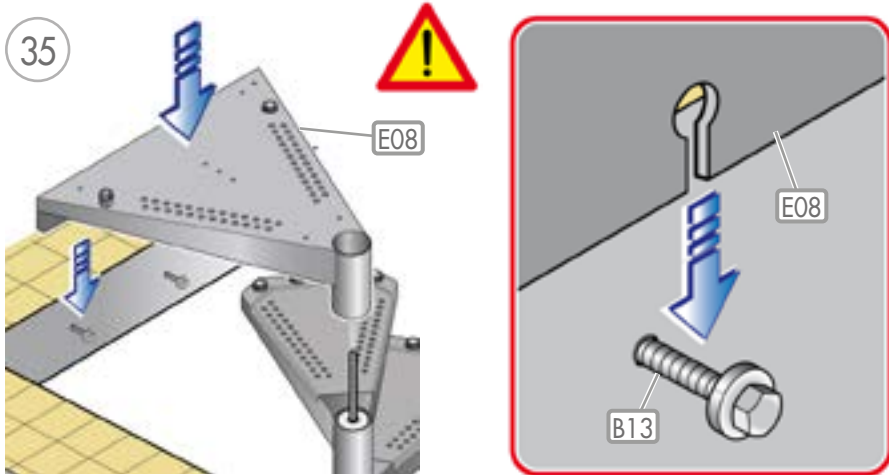
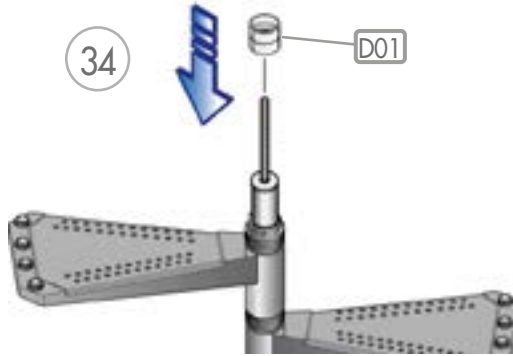


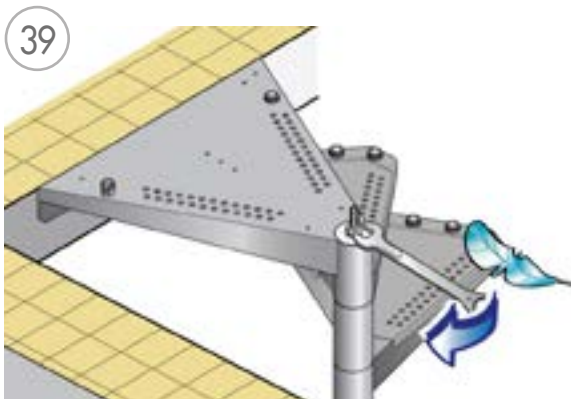
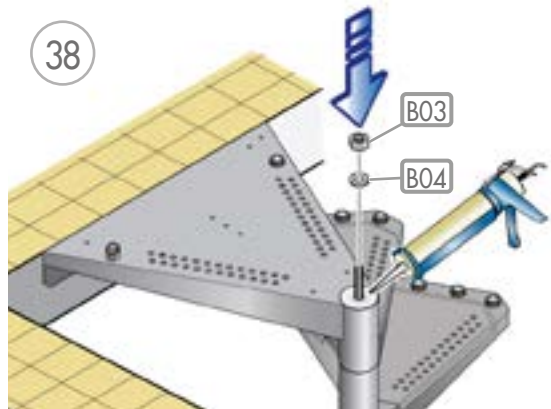
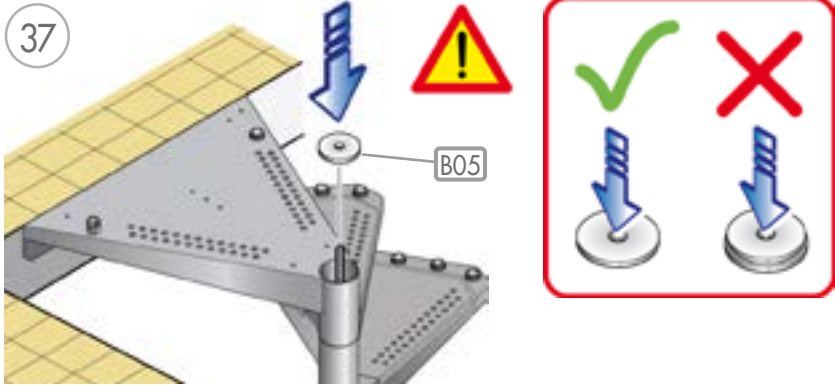


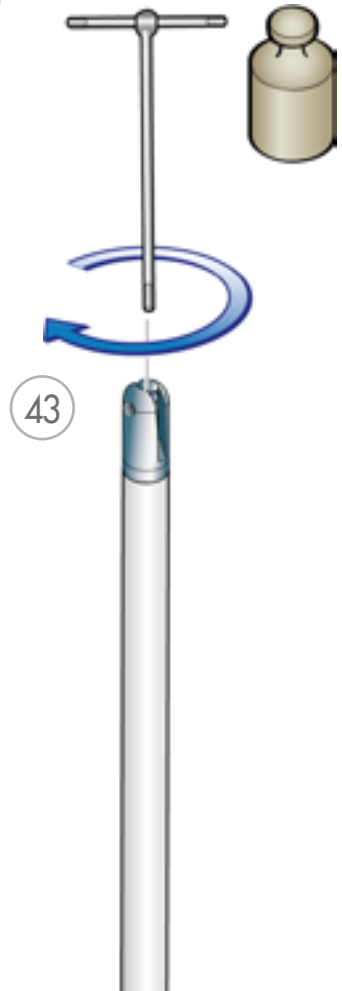
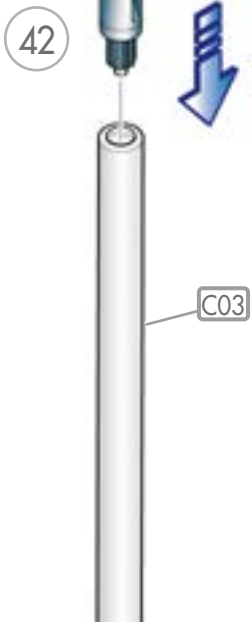
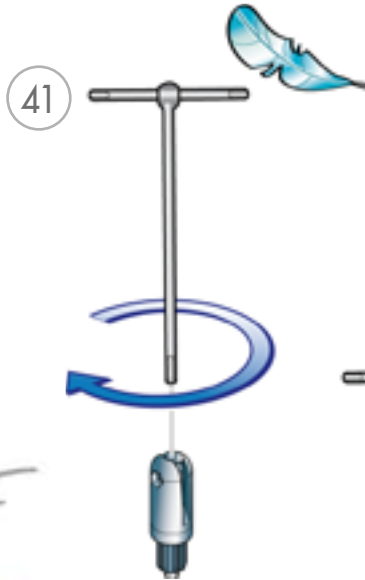
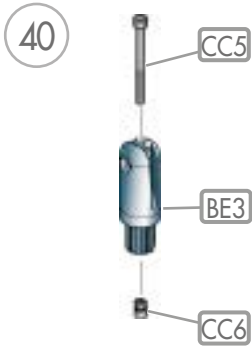


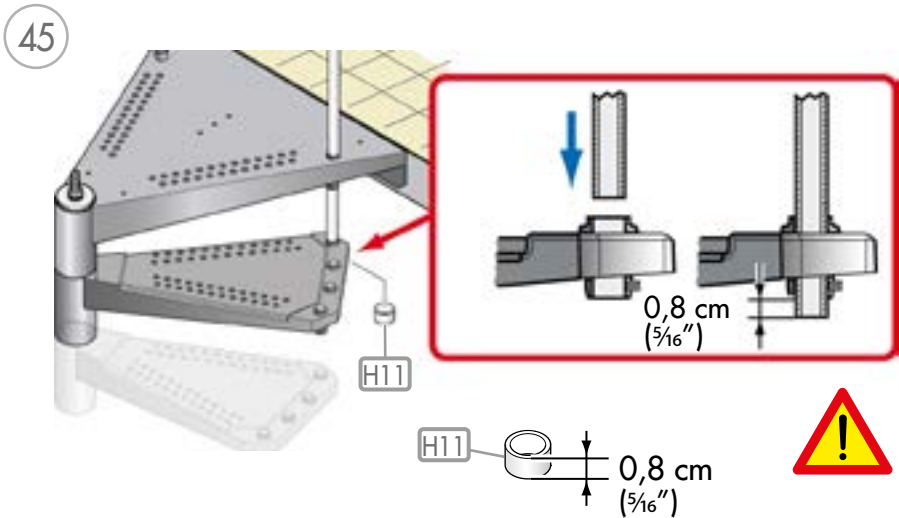
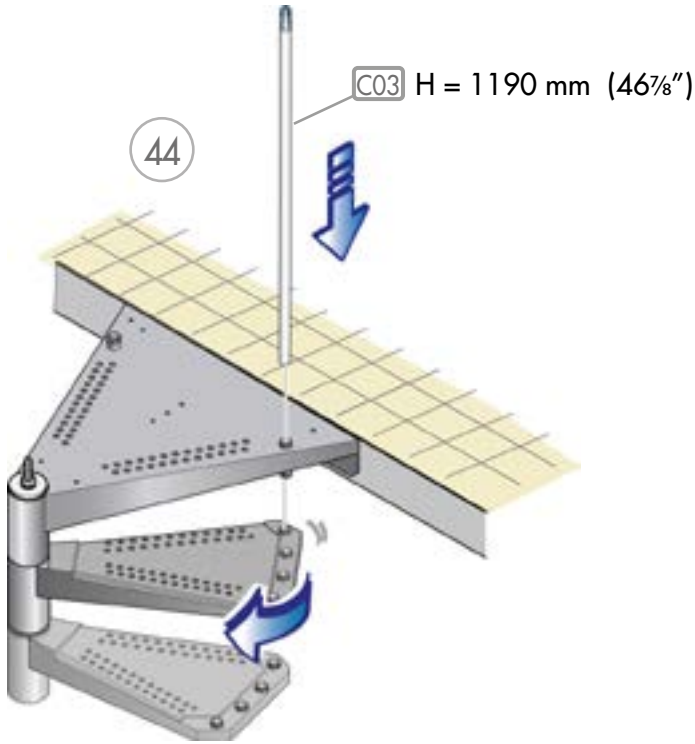




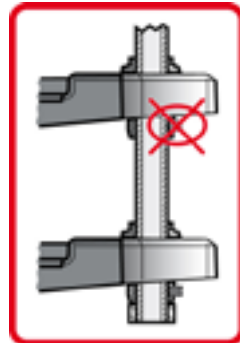
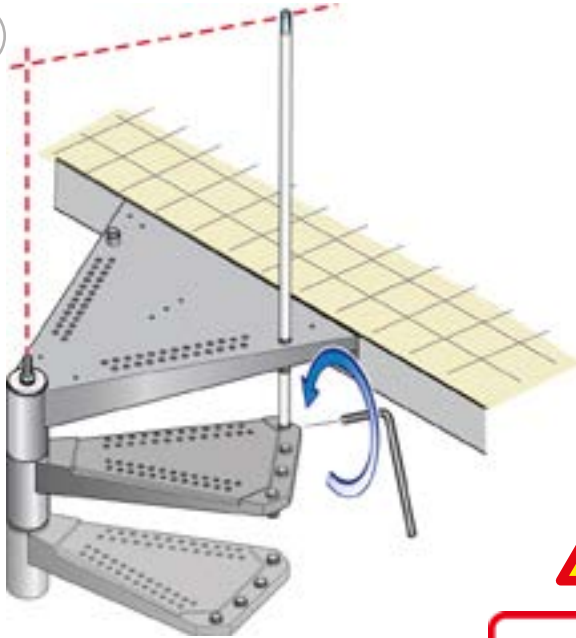




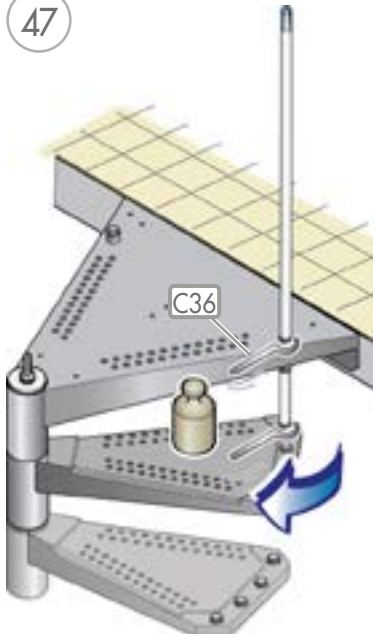




46

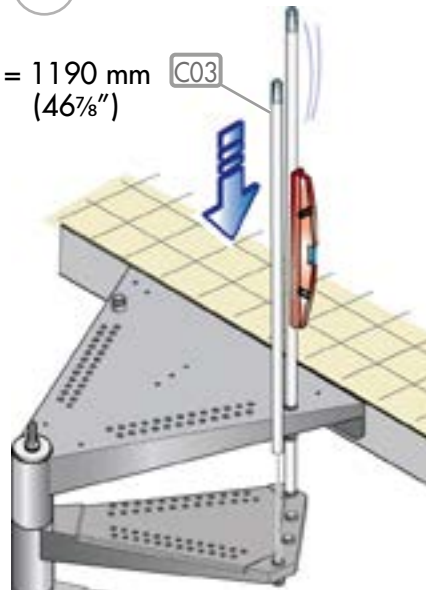


47

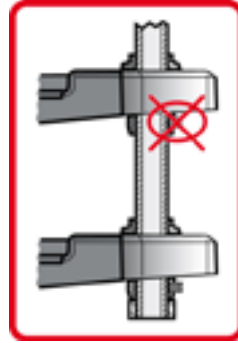
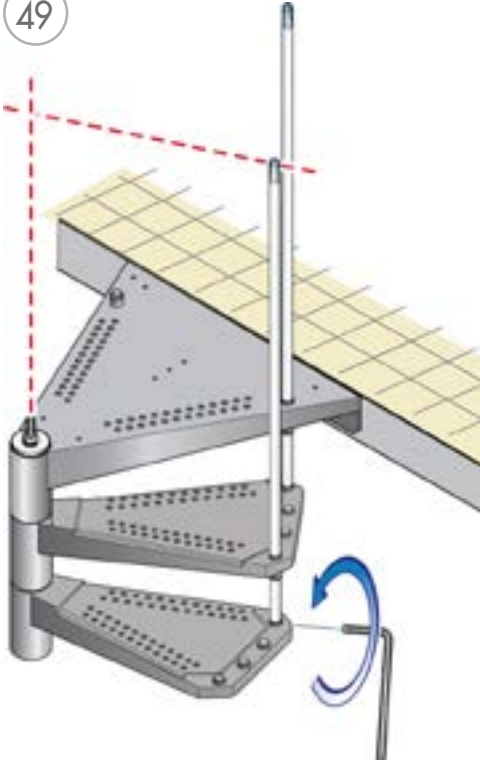


48

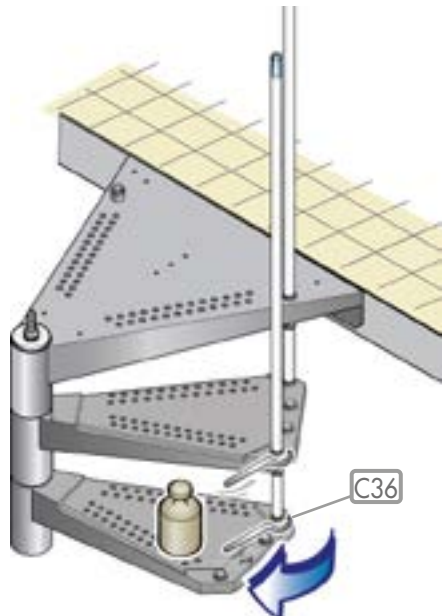
H = 1190 mm
(46 7/8")

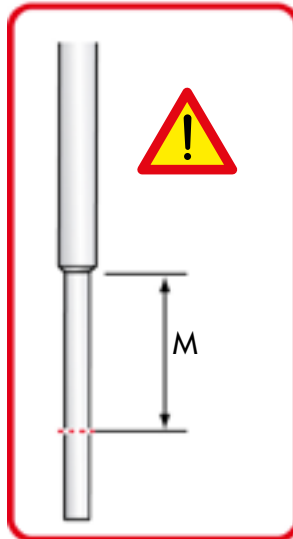
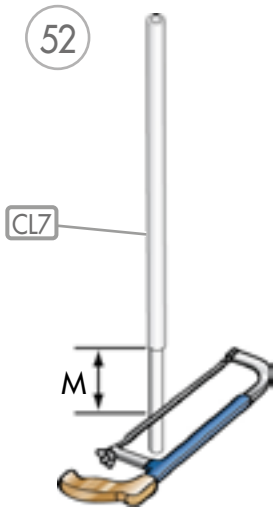
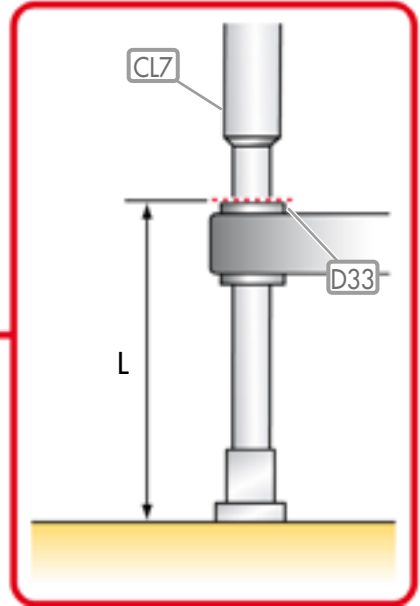
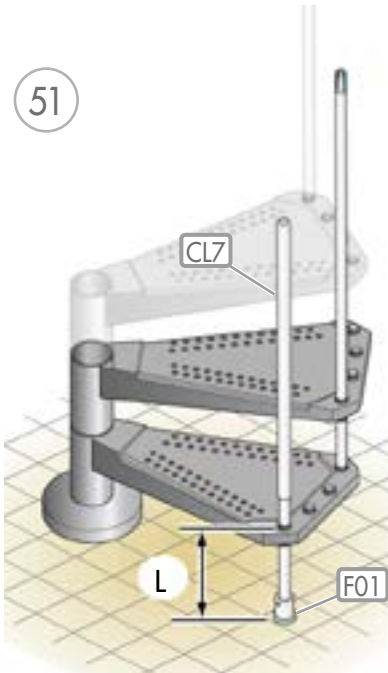


49



50

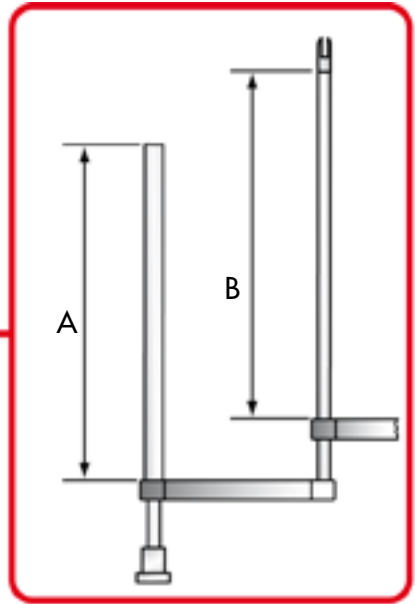
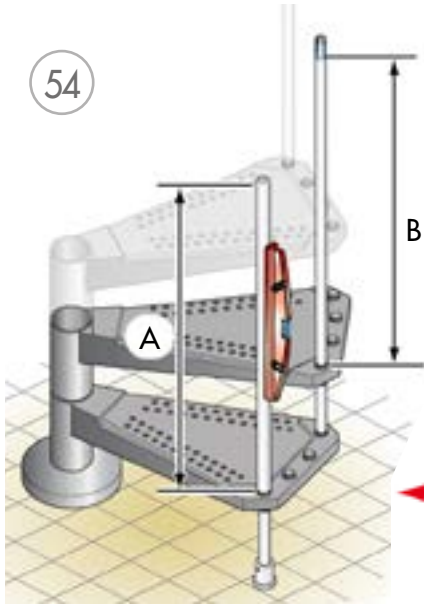




$$M = L - 5 \text{ mm}$$

$$M = L - 13/64''$$

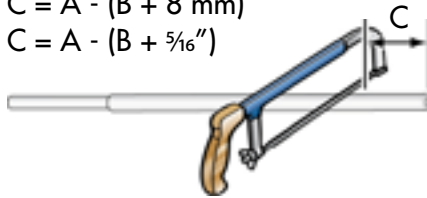
54



55

$$C = A - (B + 8 \text{ mm})$$

$$C = A - (B + \frac{5}{16}'')$$



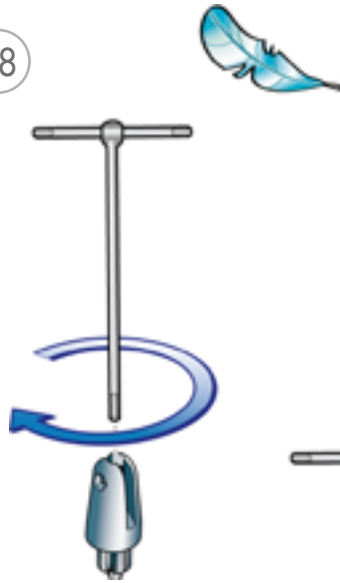
56



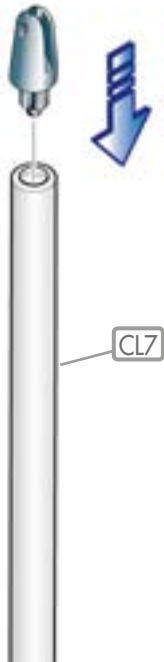
57



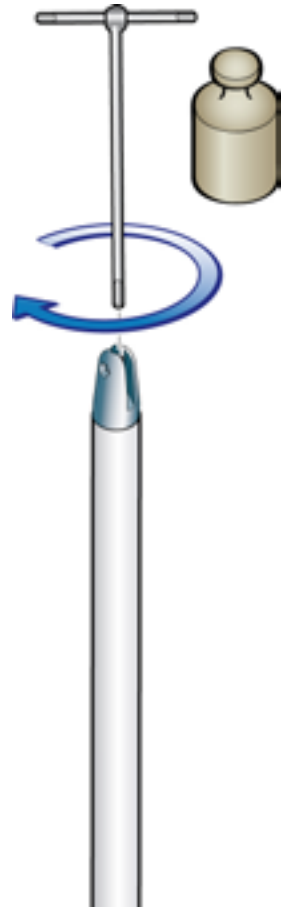
58

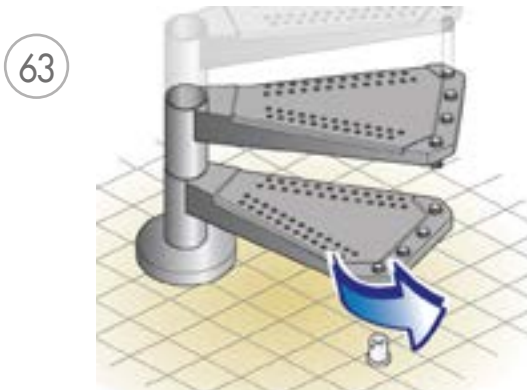
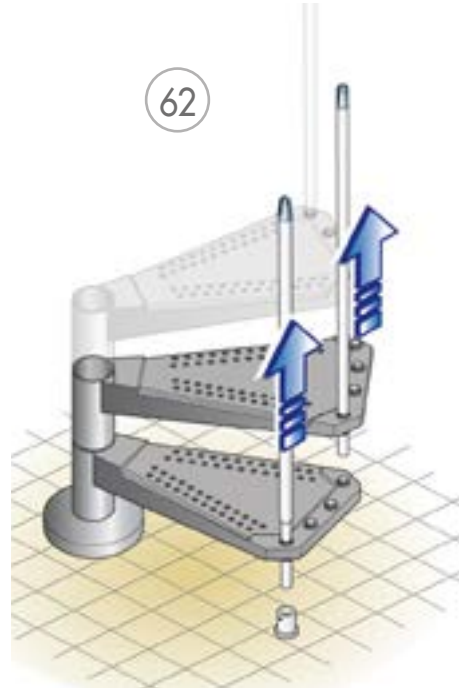
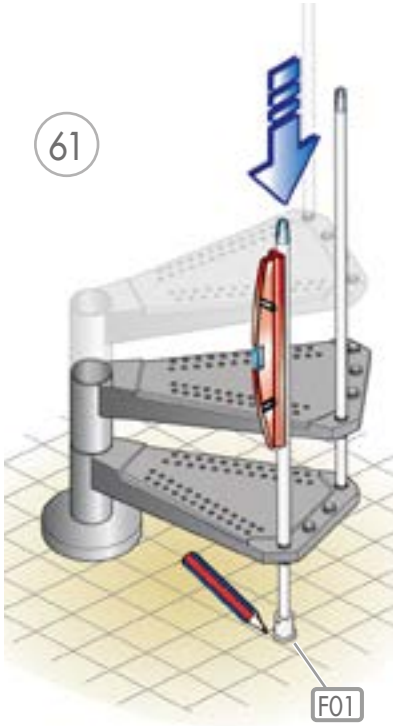


59

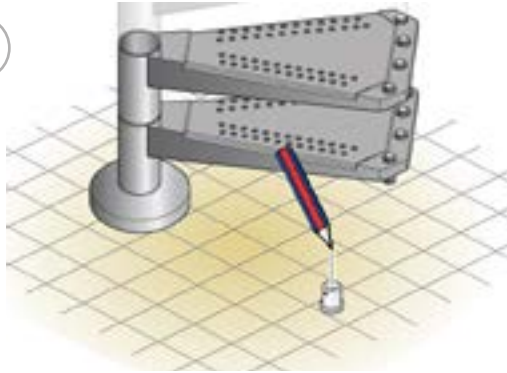


60

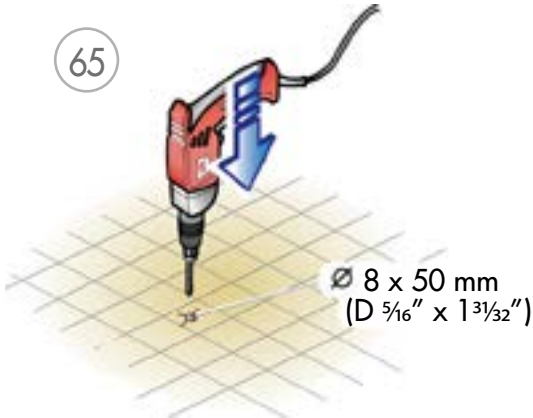




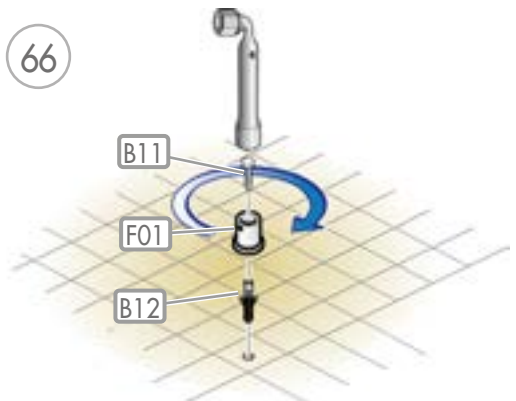
64

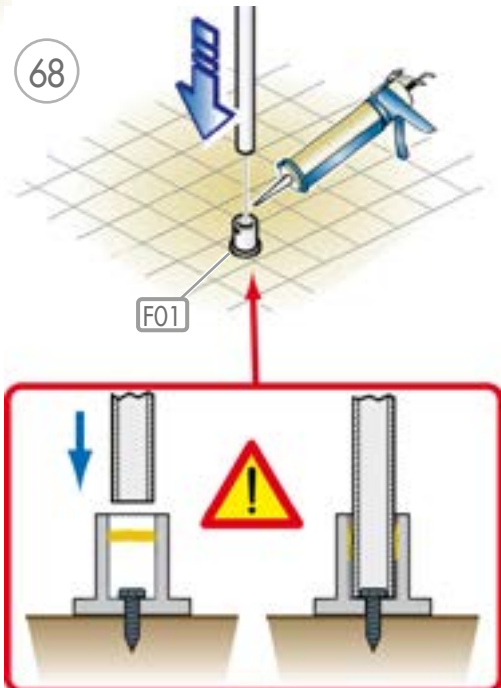
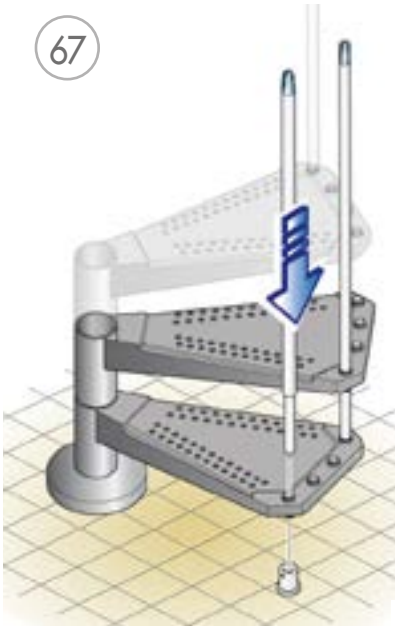


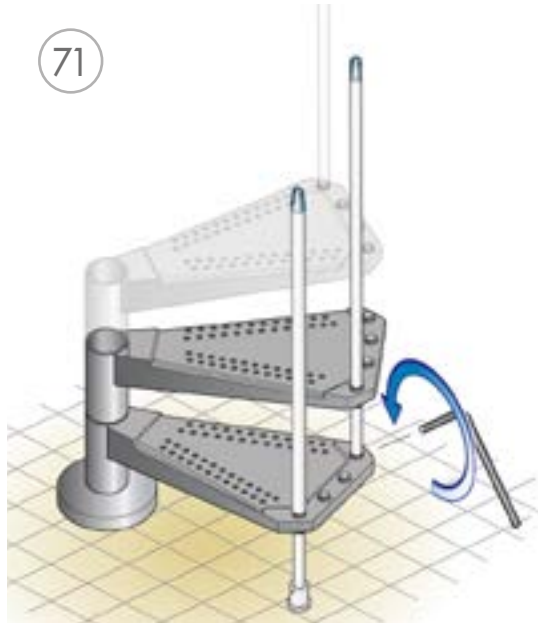
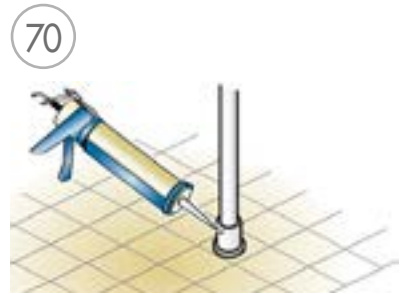
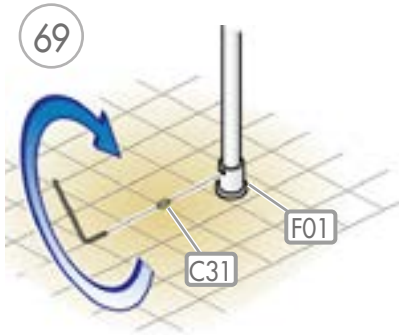
65

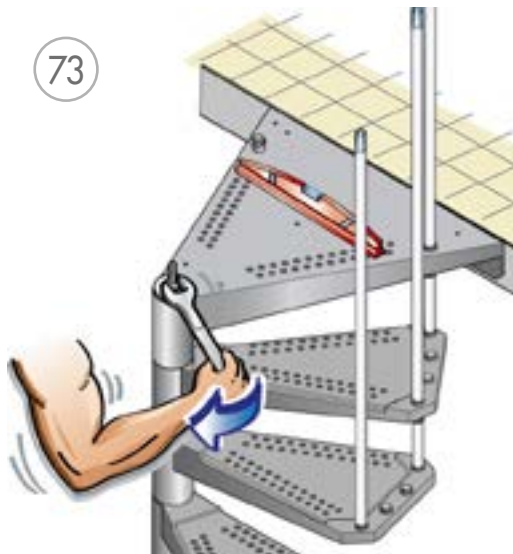
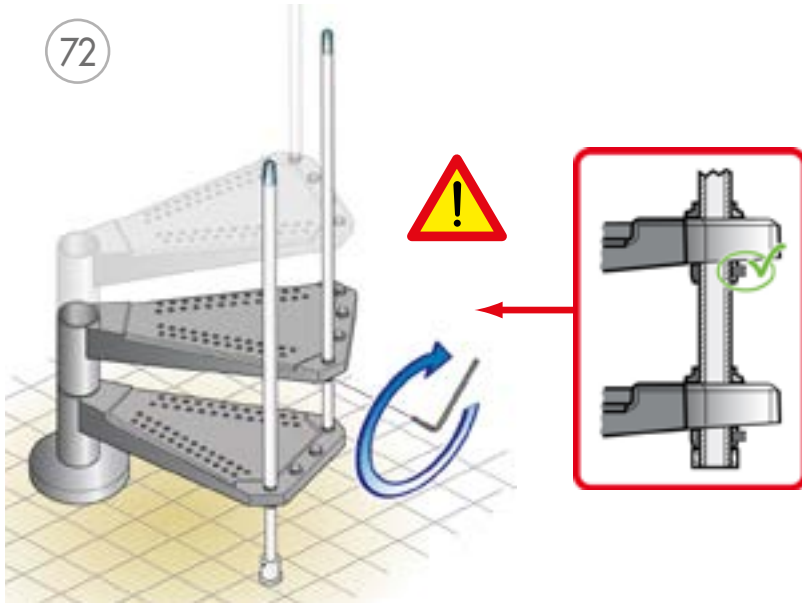


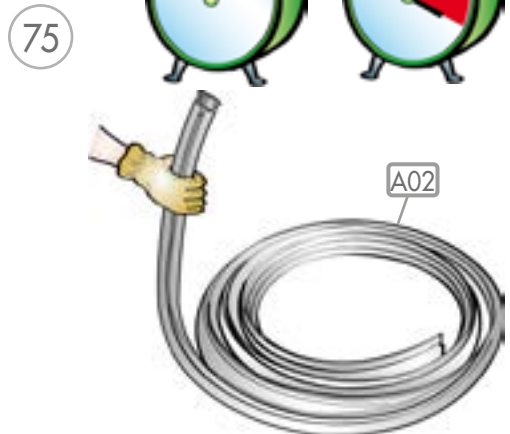
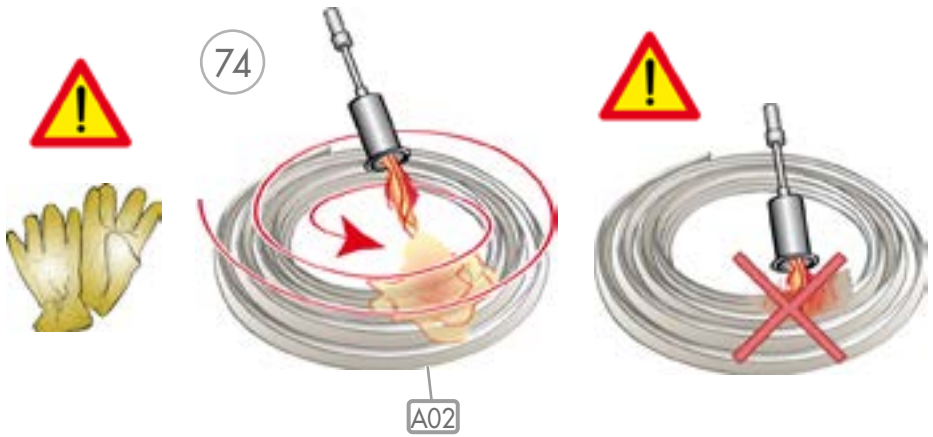
66



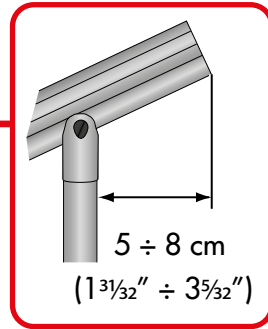
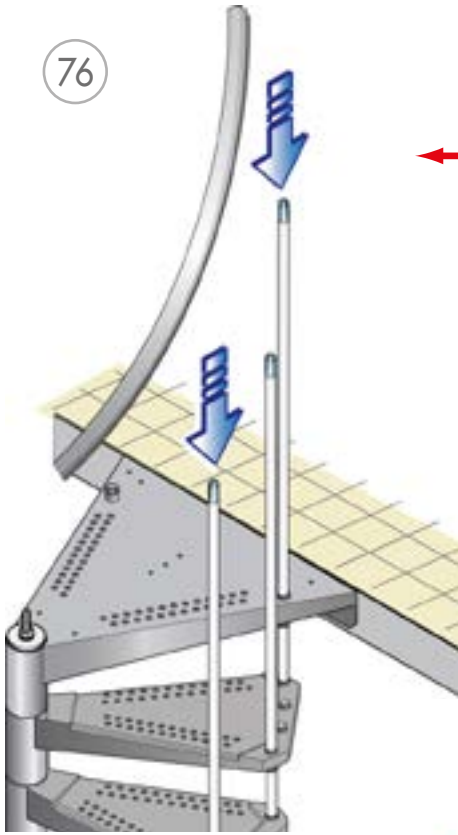




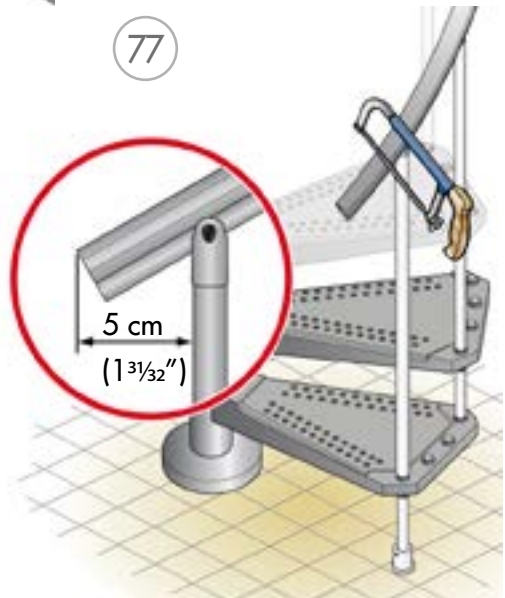




76

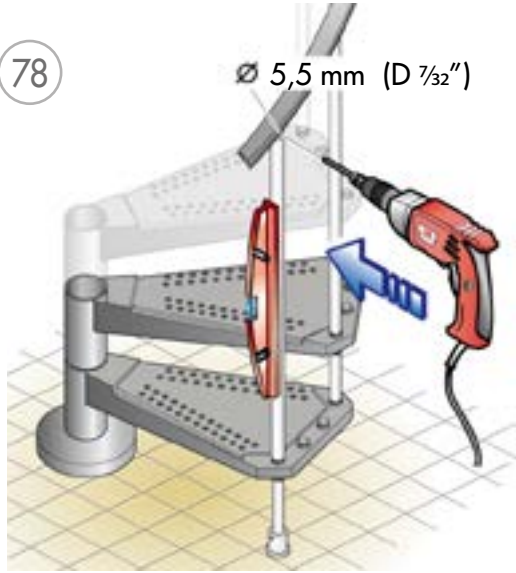


77



78

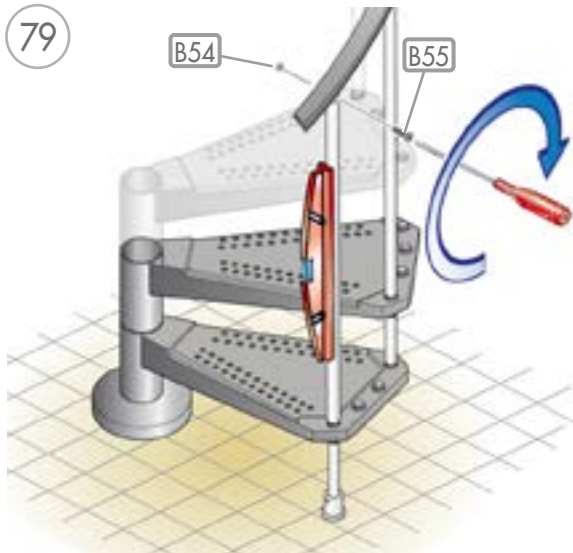
∅ 5,5 mm (D 7/32")



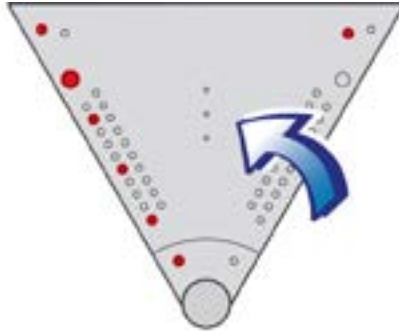
79

B54

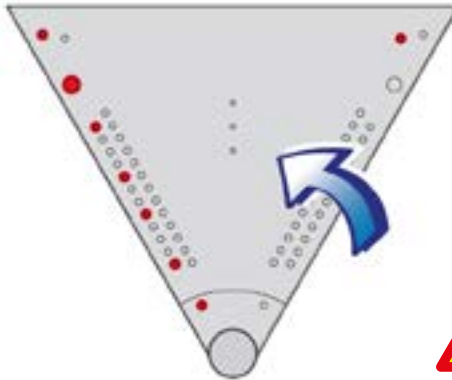
B55



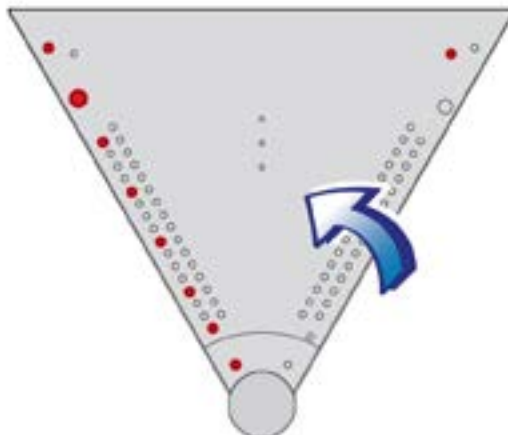
Ø 120 cm (D 47¼")



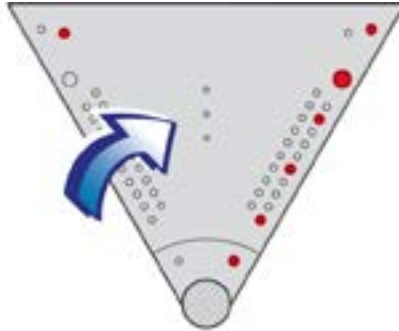
Ø 140 cm (D 55½")



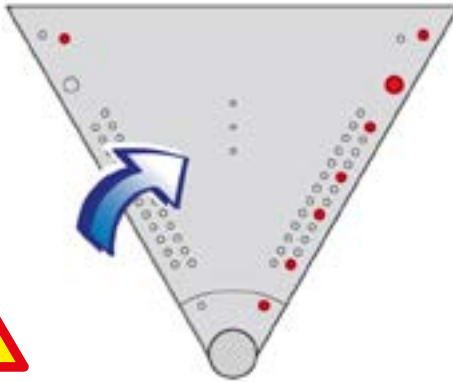
Ø 160 cm (D 63)



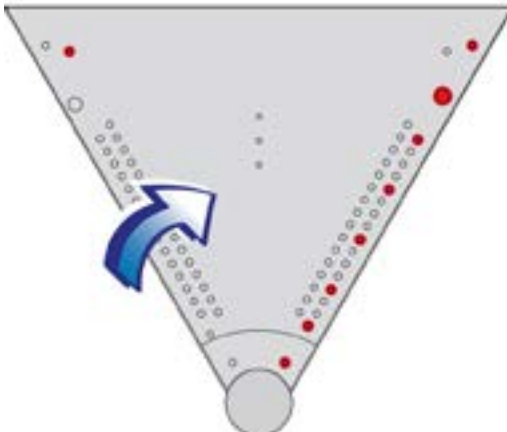
Ø 120 cm (D 47¼")



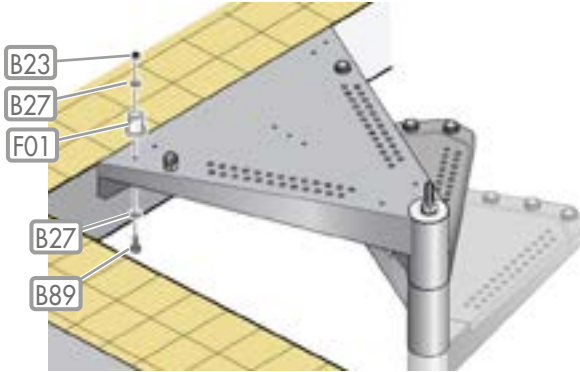
Ø 140 cm (D 55½")



Ø 160 cm (D 63)

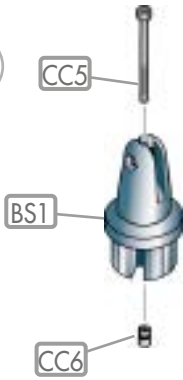


80

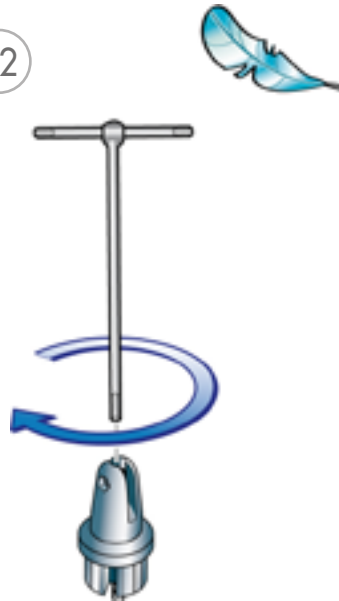


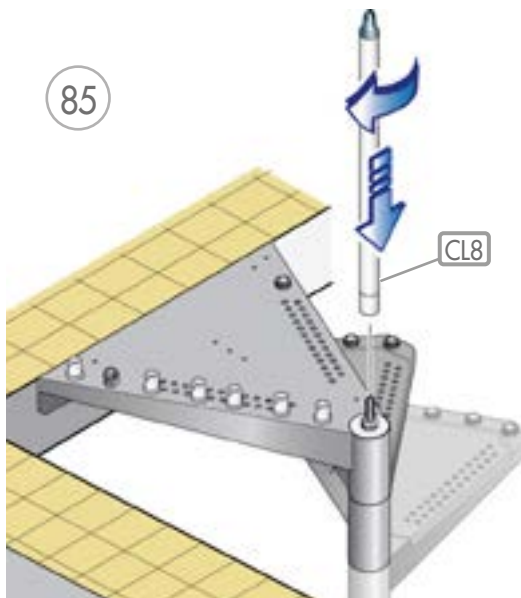
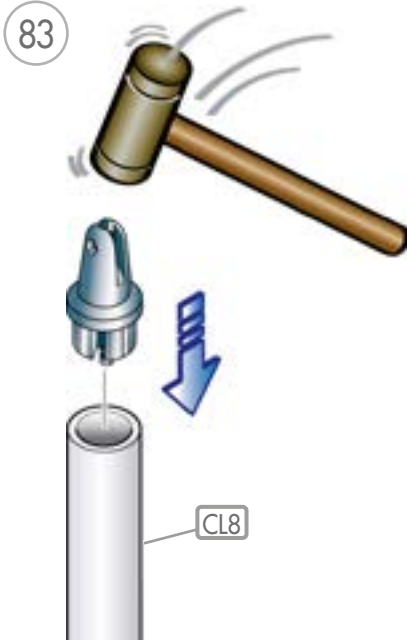
62 - 63

81



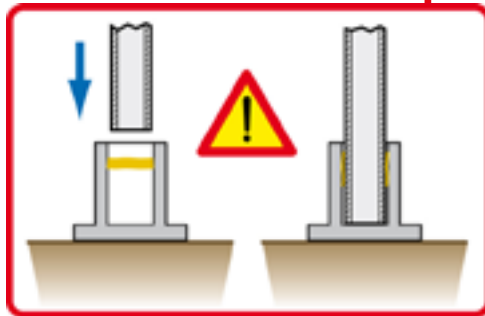
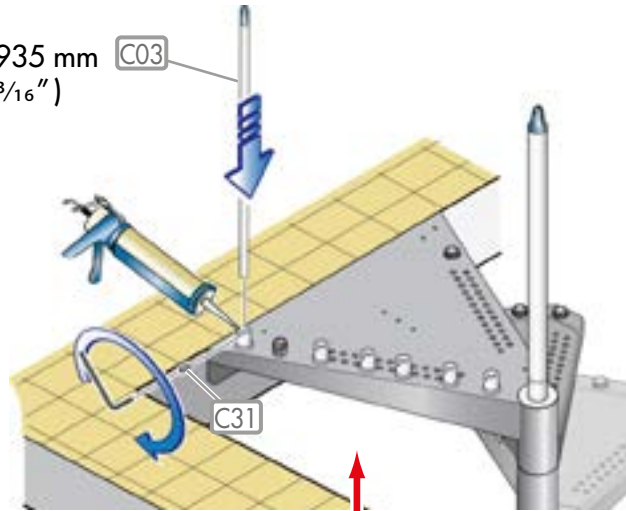
82



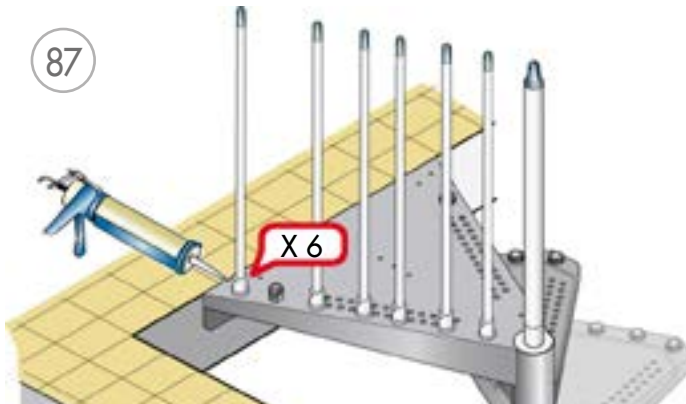


86

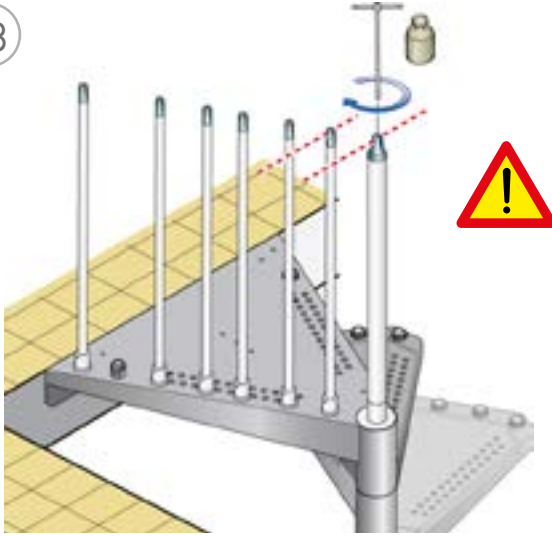
H = 935 mm
(36^{13/16}")



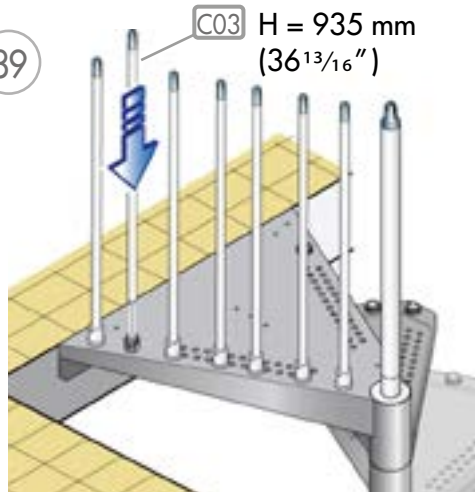
87

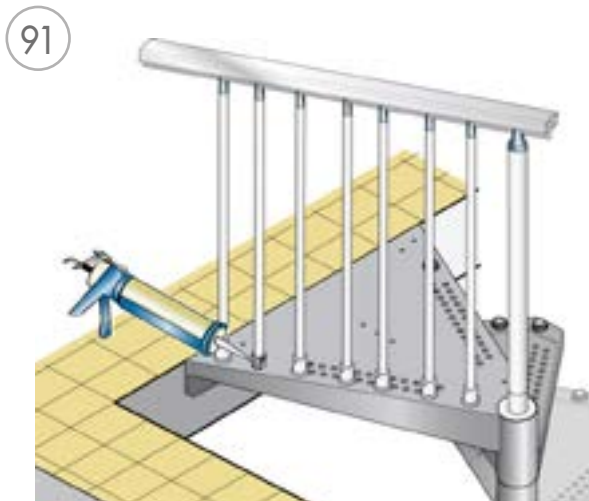
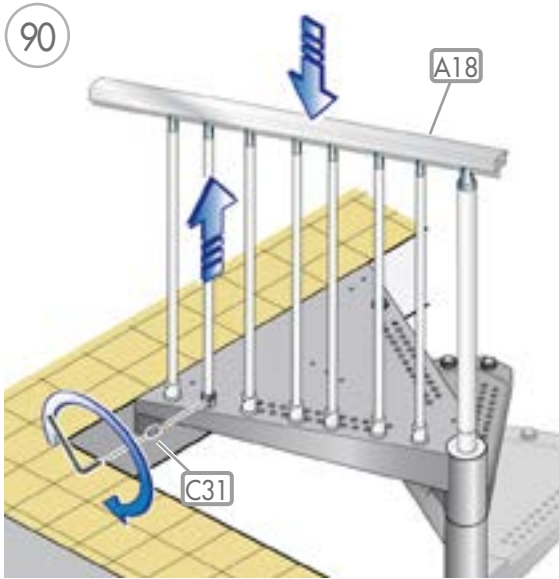


88

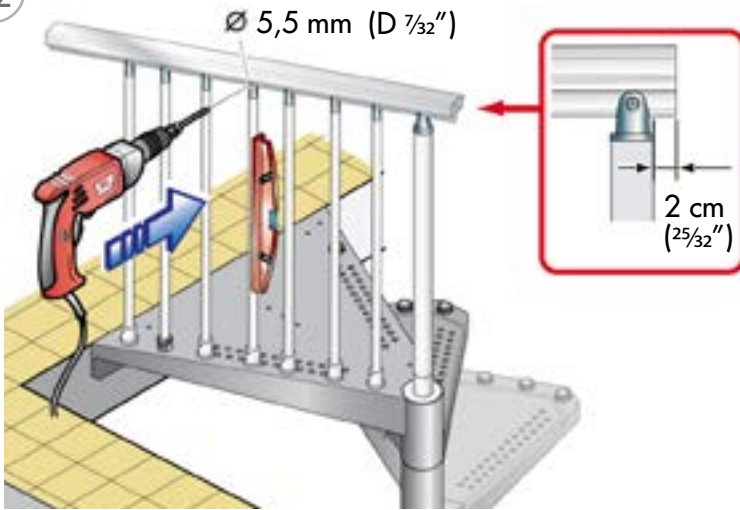


89

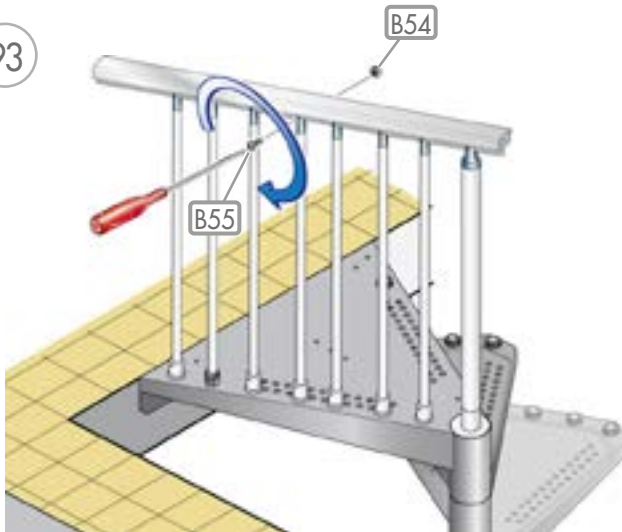


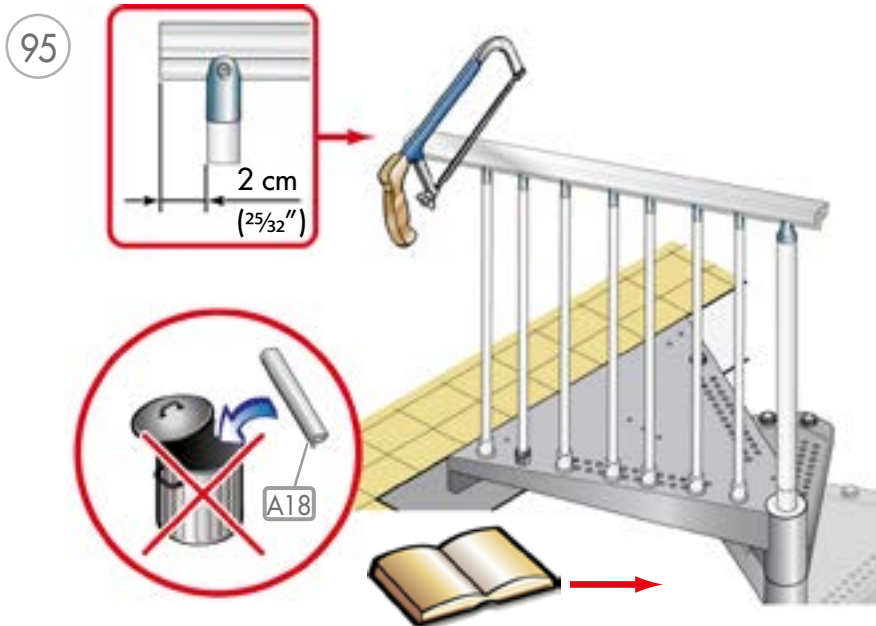
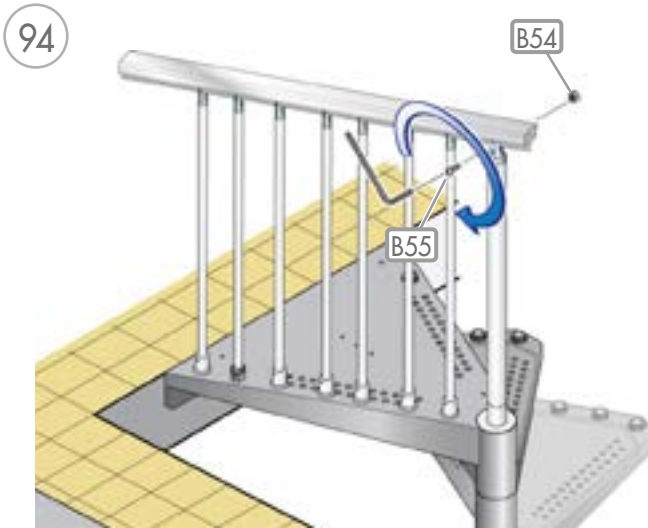


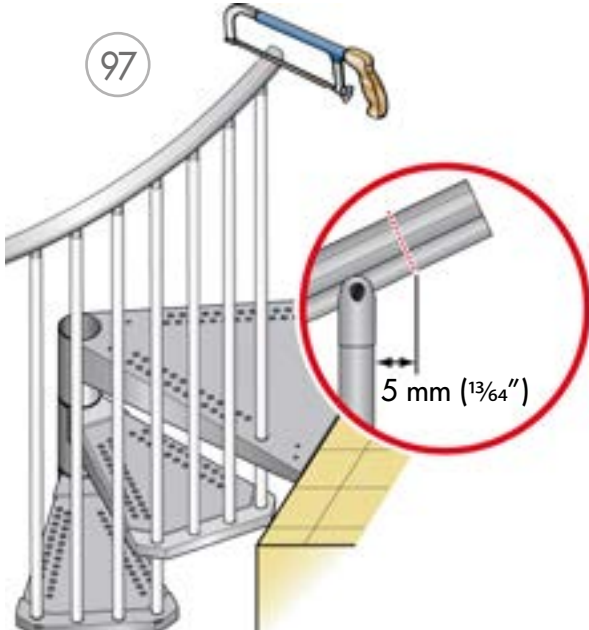
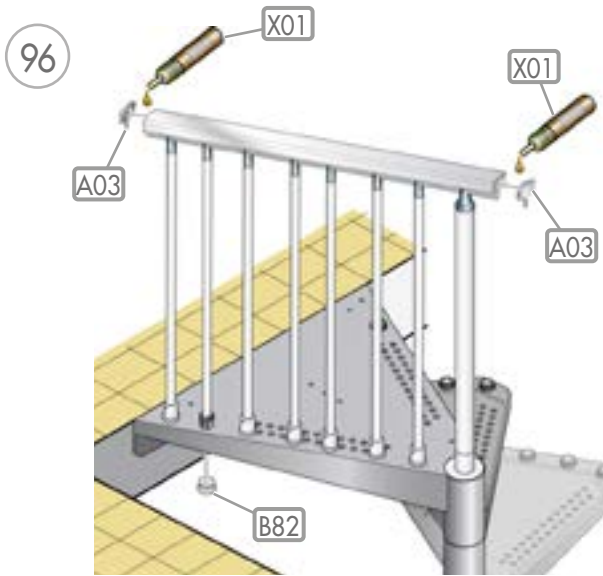
92

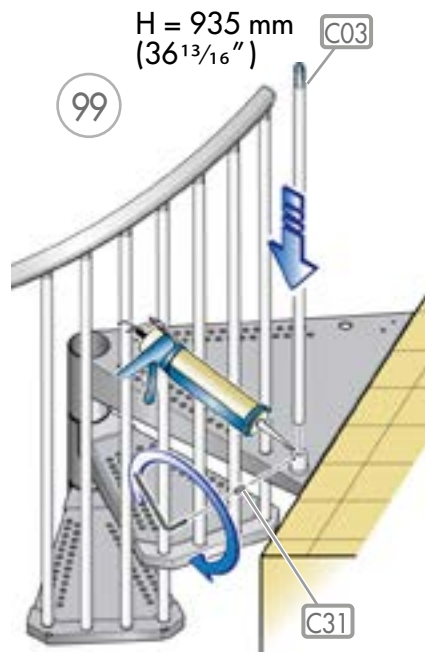
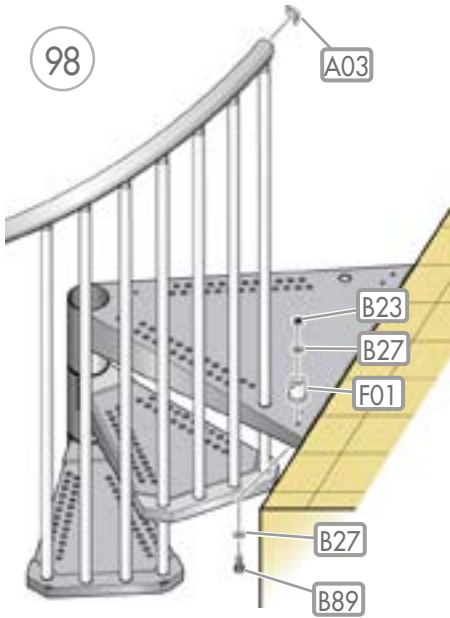


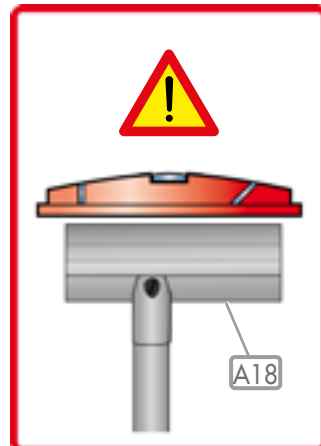
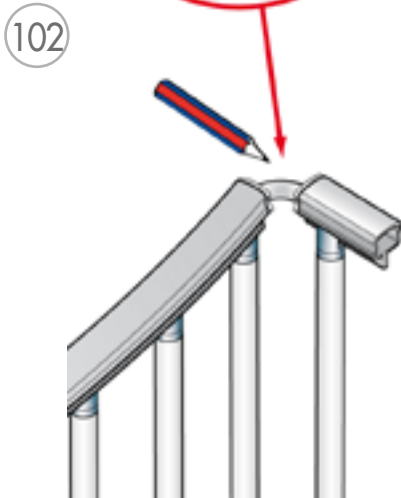
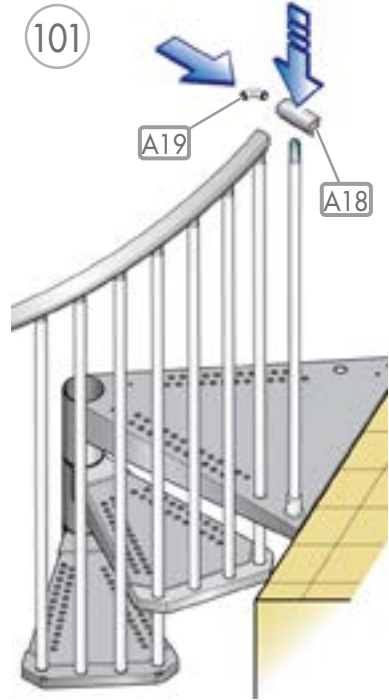
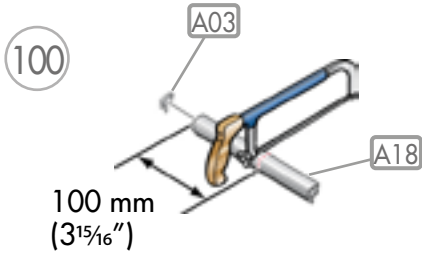
93

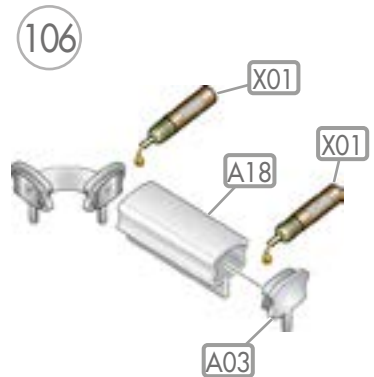
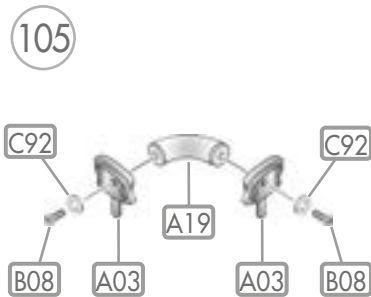
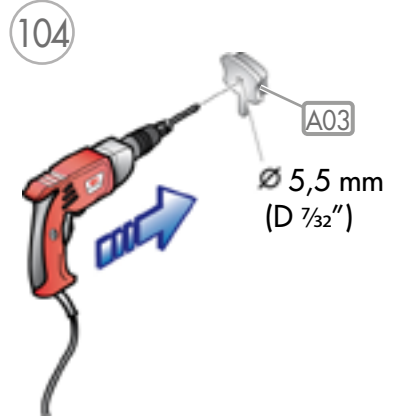
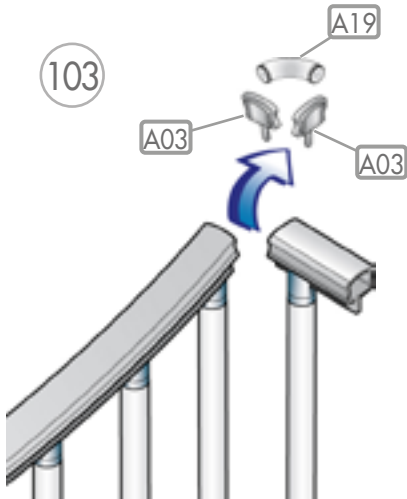


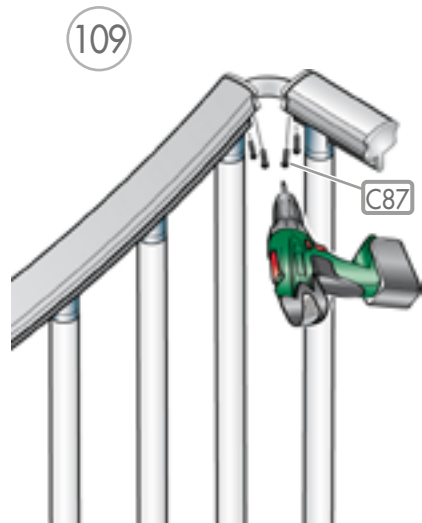
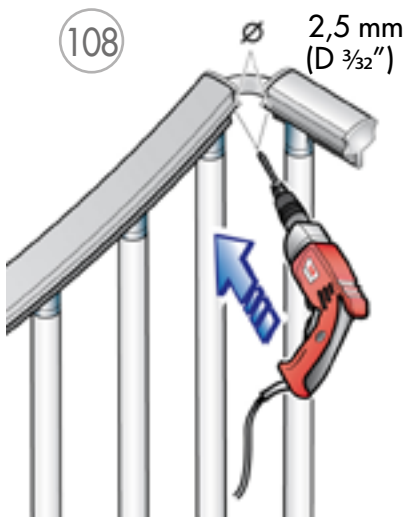
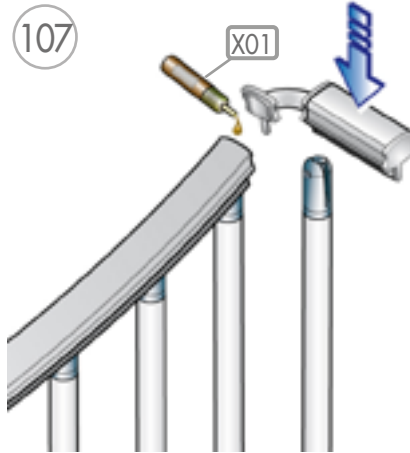


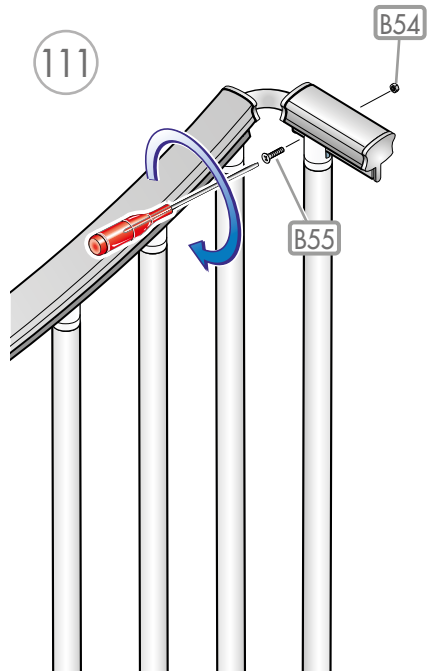
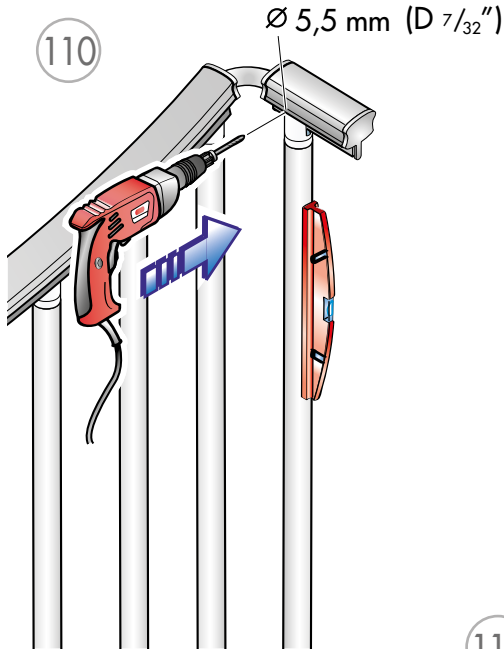


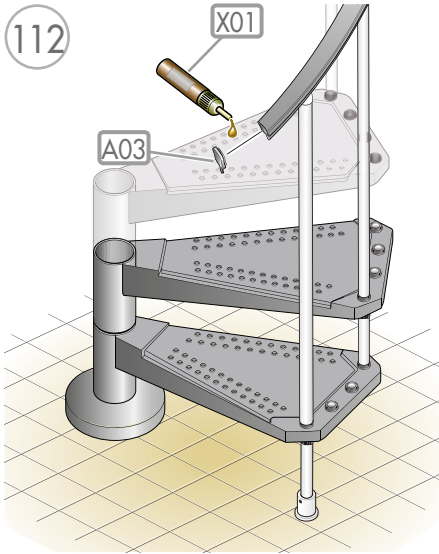








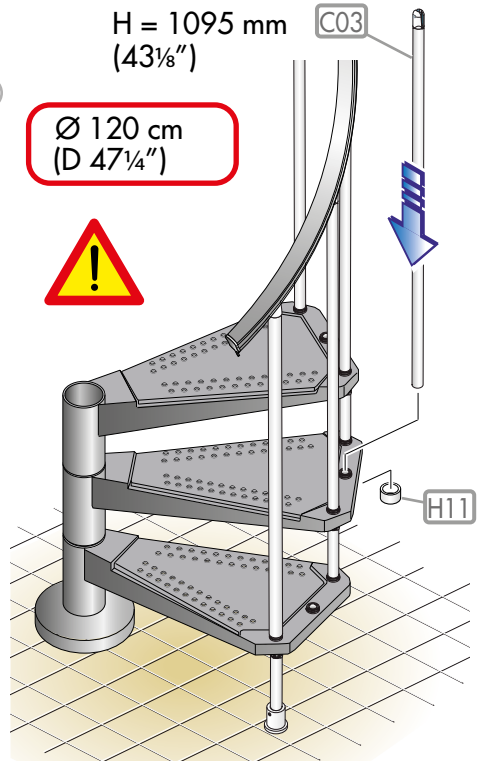
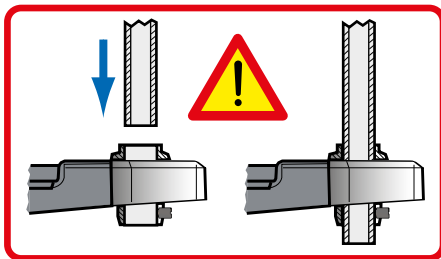




113 a

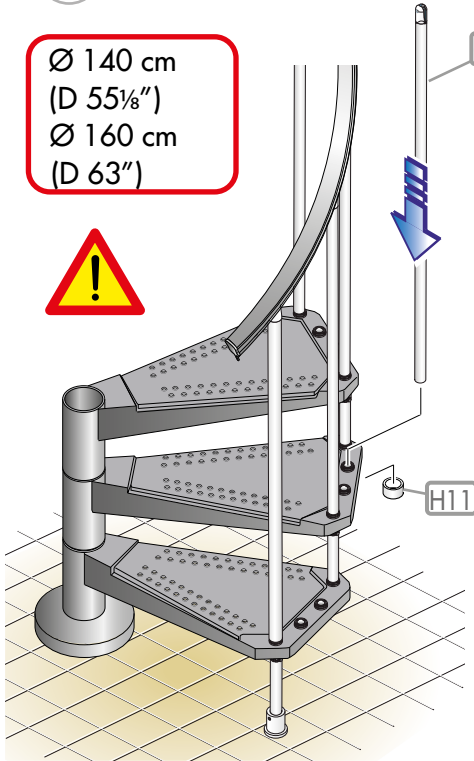
H = 1095 mm
(43 1/8")

Ø 120 cm
(D 47 1/4")



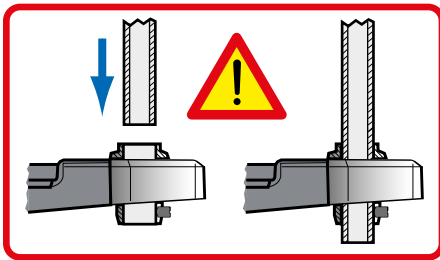
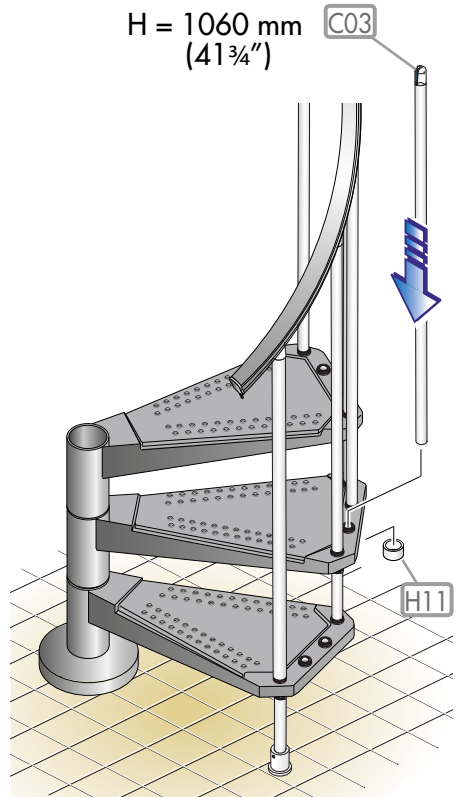
113 ^b

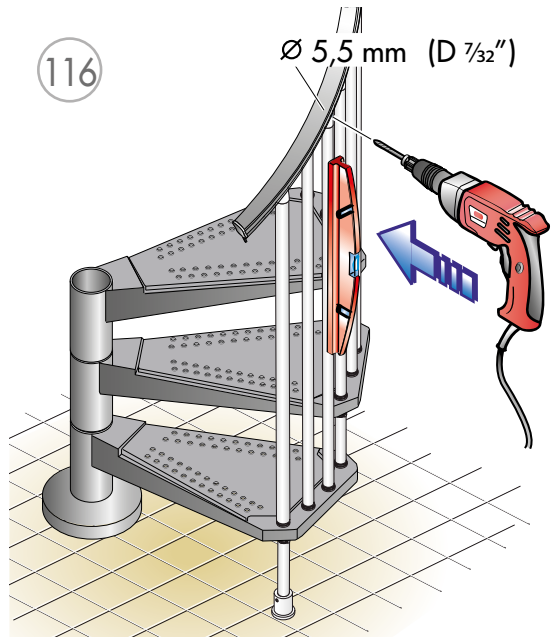
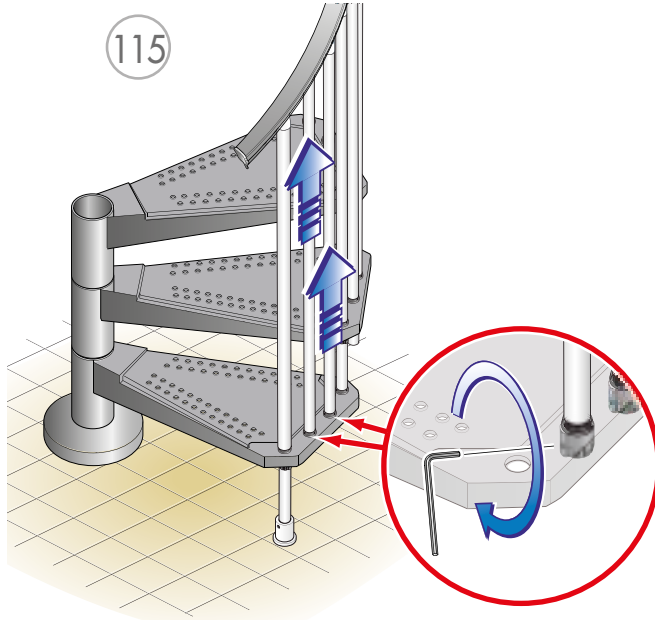
Ø 140 cm
(D 55½")
Ø 160 cm
(D 63")

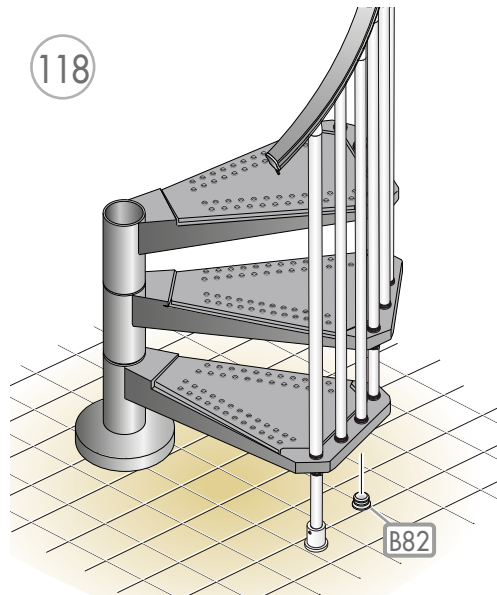
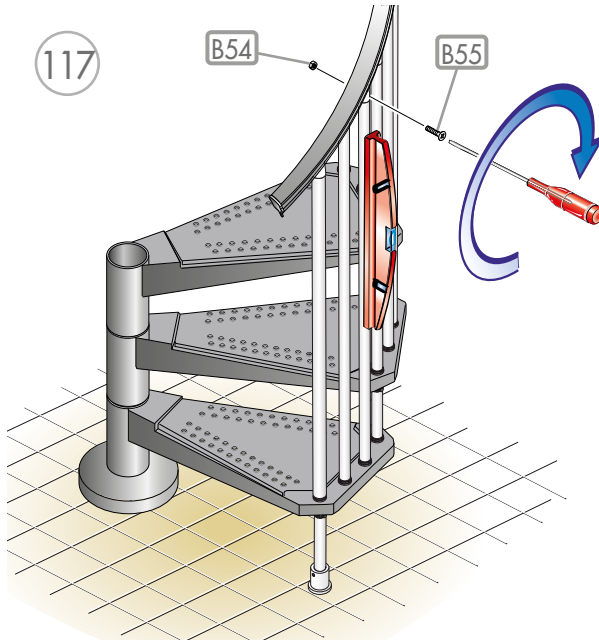


114 ^b

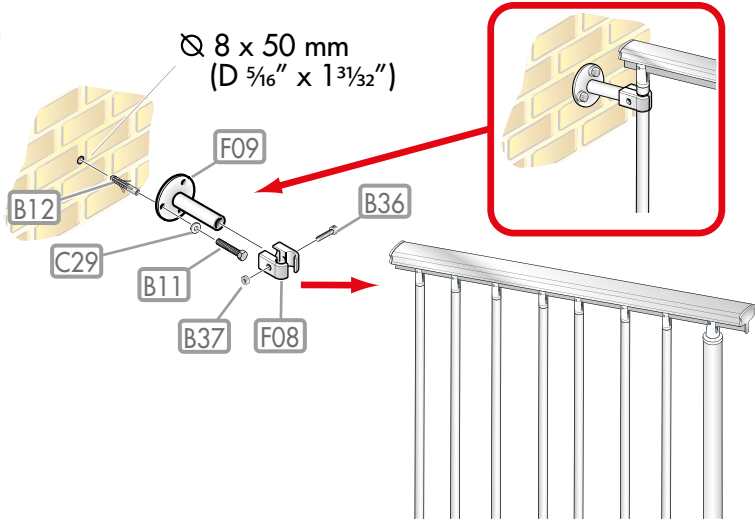
H = 1060 mm
(41¾")



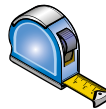
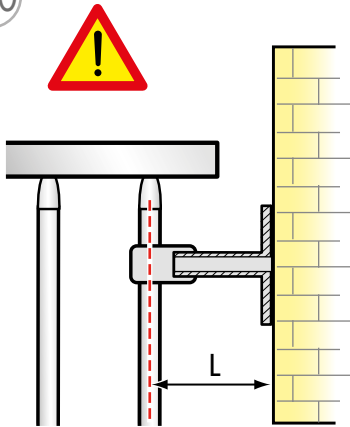




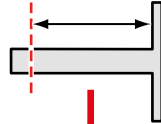
119



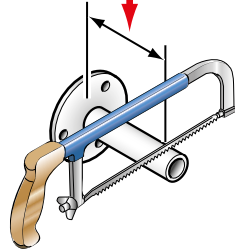
120

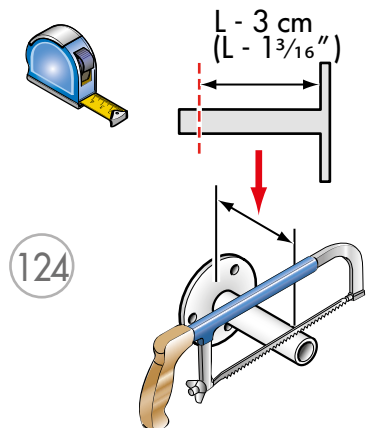
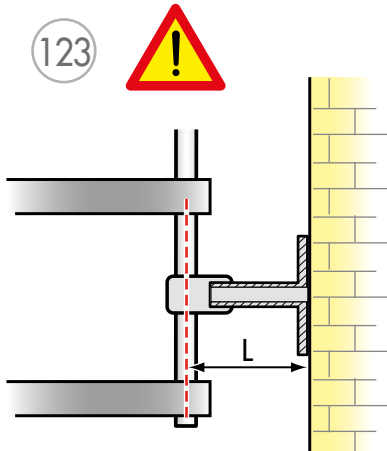
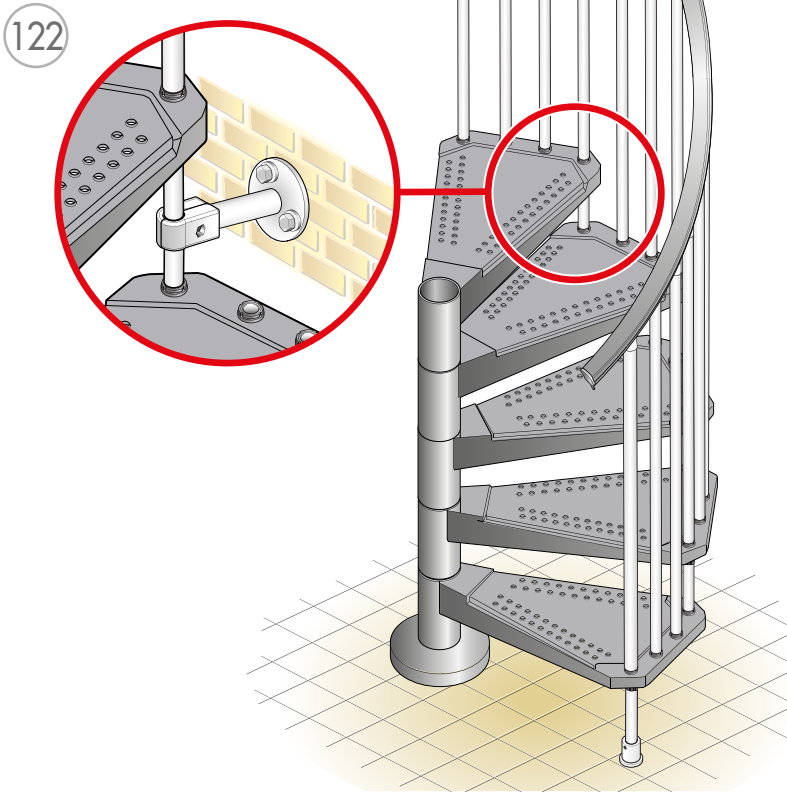


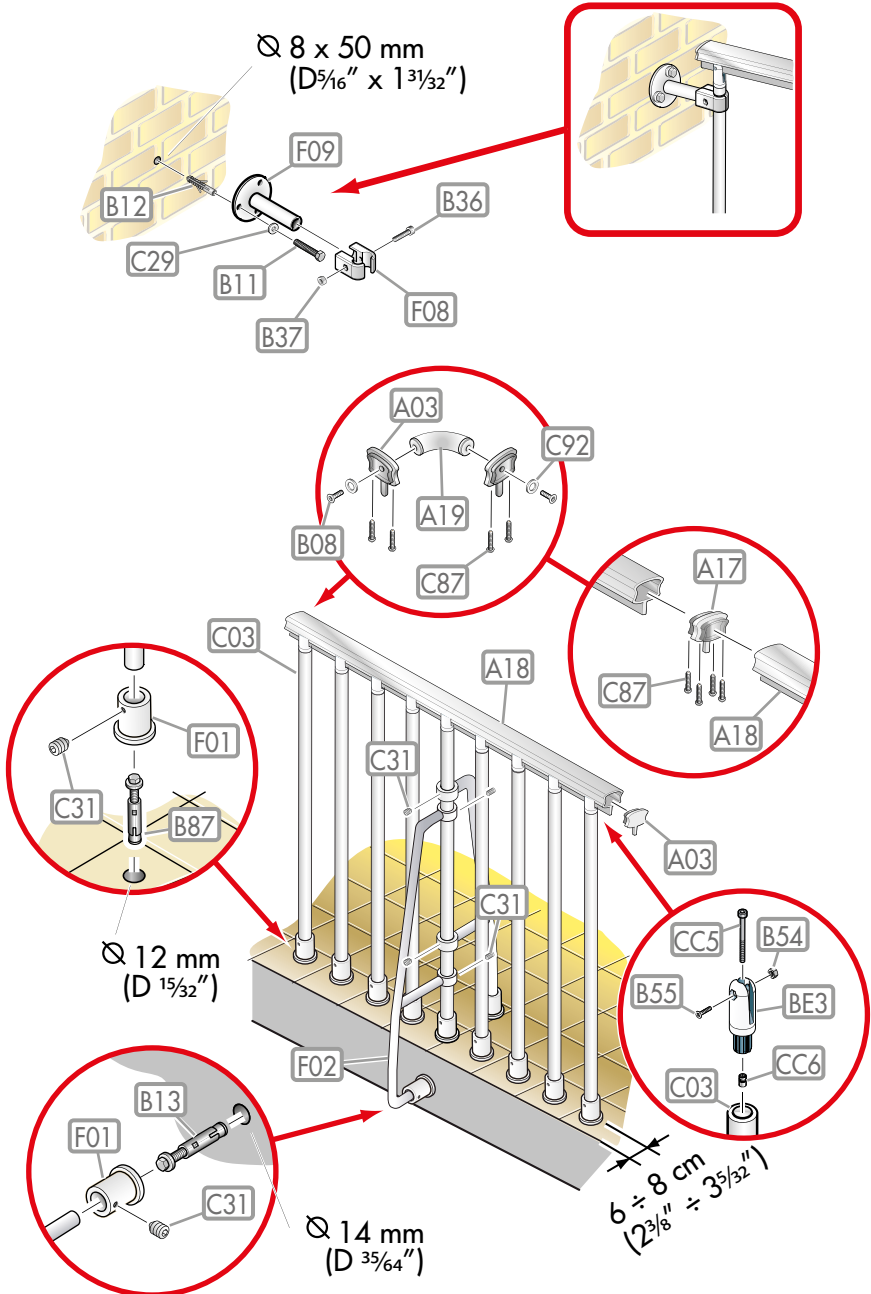
L - 3 cm
(L - 1 3/16")

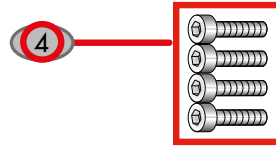




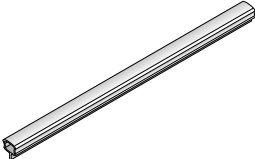









121

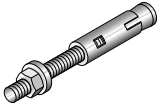

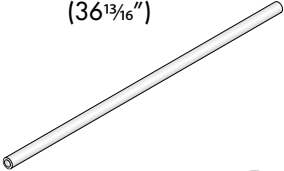






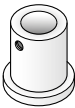
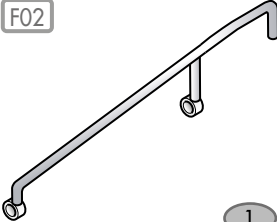
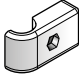

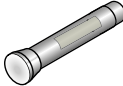


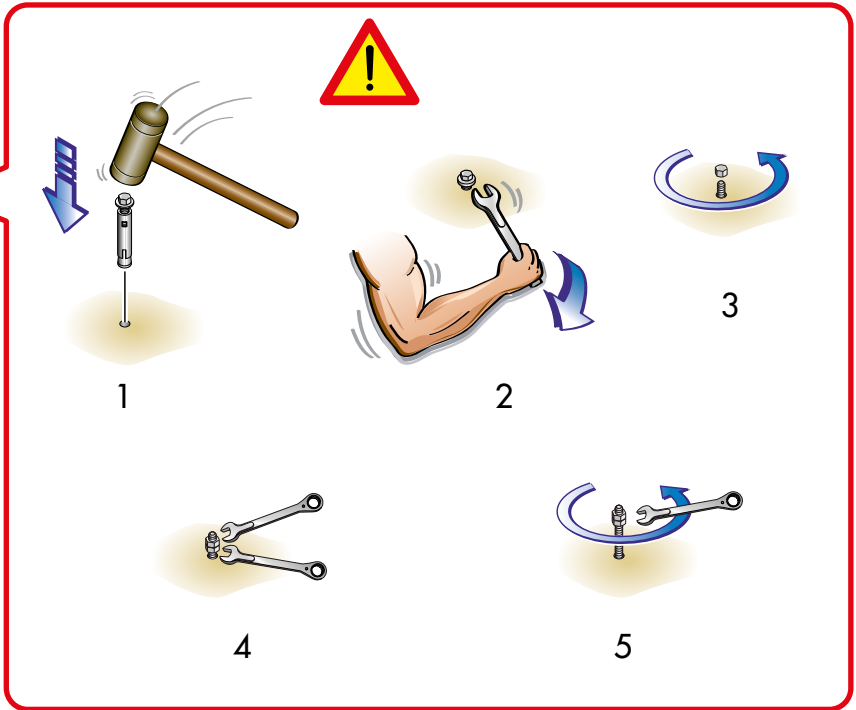
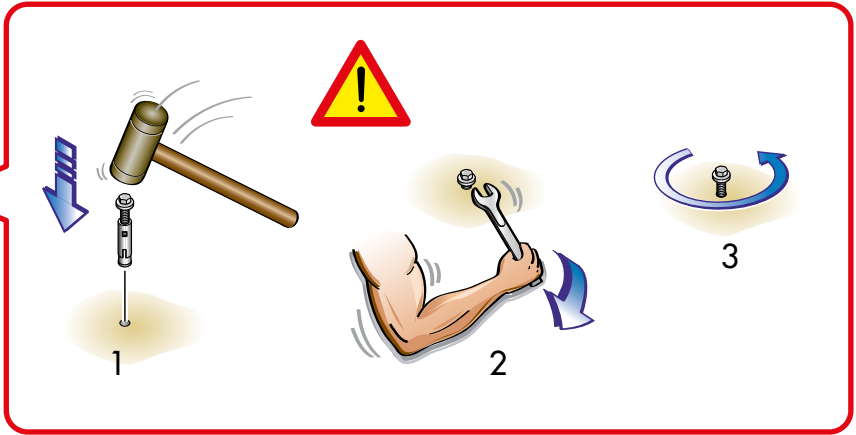






<p>A03</p>  <p>4</p>	<p>A17</p>  <p>1</p>	<p>A18</p>  <p>1</p>
<p>A19</p>  <p>1</p>	<p>B08</p>  <p>2</p>	<p>B11</p>  <p>M6 x 40 mm (M^{15/64}" x 1^{37/64}")</p> <p>3</p>
<p>B12</p>  <p>∅ 8 mm (D ^{5/16}")</p> <p>3</p>	<p>B13</p>  <p>M8 mm (M ^{5/16}")</p> <p>1</p>	<p>B36</p>  <p>M6 x 25 mm (M ^{15/64}" x ^{63/64}")</p> <p>1</p>
<p>B37</p>  <p>M6 mm (M ^{15/64}")</p> <p>1</p>	<p>B54</p>  <p>10</p>	<p>B55</p>  <p>10</p>

<p>B87</p>  <p>10</p>	<p>BE3</p>  <p>10</p>	<p>C03 H = 935 mm (36¹³/₁₆")</p>  <p>10</p>
<p>C29</p>  <p>3</p>	<p>C31</p>  <p>6 x 6 mm (1⁵/₆₄" x 1⁵/₆₄")</p> <p>13</p>	<p>C87</p>  <p>8</p>
<p>C92</p>  <p>2</p>	<p>CC5</p>  <p>10</p>	<p>CC6</p>  <p>10</p>
<p>F01</p>  <p>11</p>	<p>F02</p>  <p>1</p>	<p>F08</p>  <p>2</p>
<p>F09</p>  <p>1</p>	<p>X01</p> 	

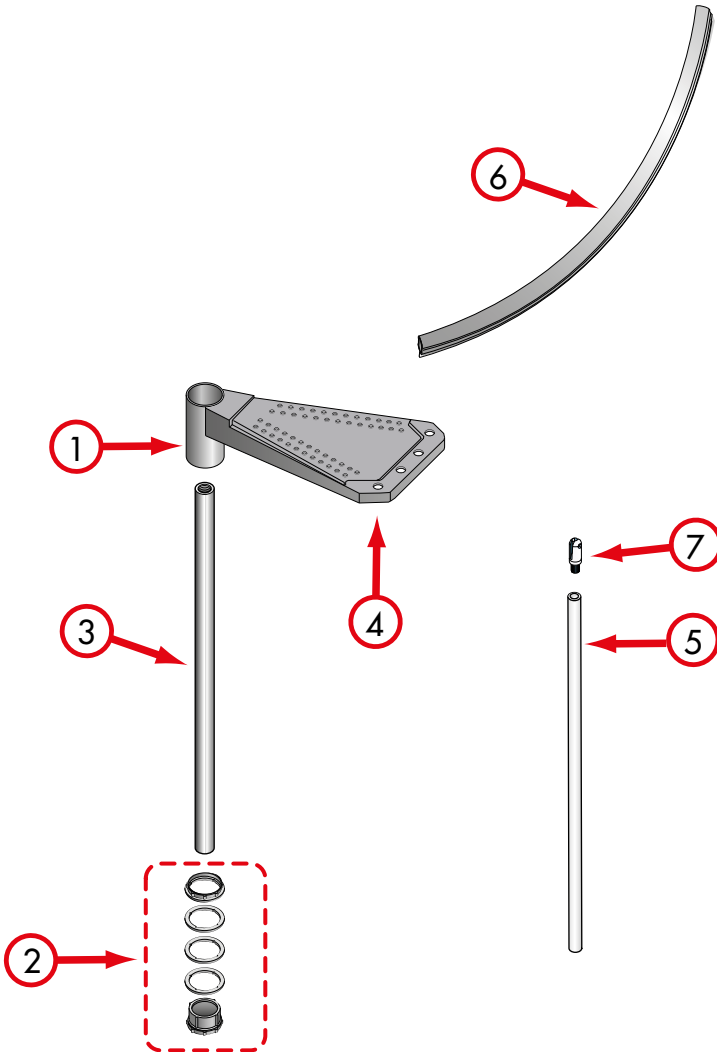




Italiano
English
Français
Español

DATI IDENTIFICATIVI DEL PRODOTTO
PRODUCT DETAILS
DONNÉES D'IDENTIFICATION DU PRODUIT
DATOS DE IDENTIFICACIÓN





IT)

dati identificativi del prodotto

denominazione commerciale: **LUCIA**
tipologia: scala a chiocciola a pianta tonda

materiali impiegati

STRUTTURA

descrizione

composta da distanziali (1) in metallo (saldati al gradino) e spessori (2) in plastica impilati e compressi sul palo (3) centrale modulare

materiali

distanziali: Fe 360
spessori: nylon 66
palo: Fe 360 zincato

finitura

distanziali: zincatura a caldo e verniciatura a forno con polveri poliestere per uso esterno

GRADINI

descrizione

gradini (4) in metallo circolari impilati sul palo (3) centrale

materiali

gradini: lamiera Fe 360

finitura

zincatura a caldo e verniciatura a forno con polveri poliestere per uso esterno

RINGHIERA

descrizione

composta da colonnine (5) verticali in metallo fissate ai gradini (4) e da un corrimano (6) in PVC

materiali

colonnine: Fe 360
corrimano: PVC
fissaggi (7): nylon

finitura

colonnine: zincatura a caldo Sendzimir e mano di fondo ai fosfati di zinco e verniciatura a forno con polveri poliestere per uso esterno

PULIZIA E MANUTENZIONE OBBLIGATORIA

Eseguire la pulizia della scala alla prima comparsa di macchie di sporco e depositi di polvere e periodicamente almeno ogni 6 mesi con panno morbido inumidito in acqua e detergenti specifici non abrasivi ed aggressivi. NON usare mai pagliette abrasive o in ferro. Pulire ed asciugare accuratamente dopo il lavaggio con un panno in microfibra al fine di eliminare gli aloni del calcare presente nell'acqua. Dopo circa 12 mesi dalla data di installazione, controllare il serraggio della viteria dei vari componenti. Al verificarsi di qualsiasi minimo malfunzionamento è obbligatorio effettuare una manutenzione straordinaria, da eseguire subito e a regola d'arte.

PRECAUZIONI D'USO

Evitare usi impropri e non consoli al prodotto. Eventuali manomissioni o installazioni non rispondenti alle istruzioni del produttore possono inficiare le conformità prestabilite del prodotto.

EN)

product details

trade name: **LUCIA**
type: spiral round staircase

used materials

STRUCTURE

description

composed of metal spacers (1) (welded to the tread) and of plastic spacers (2) stacked and packed on the central modular pole (3)

materials

spacers: Fe 360
plastic spacers: nylon 66
pole: Fe 360 galvanized

finishing

spacers: hot dip galvanizing and polyester powder coating for outdoor use

TREADS

description

circular metal treads (4) stacked on the central pole (3)

materials

treads: plate Fe 360

finishing

hot dip galvanizing and polyester powder coating for outdoor use

RAILING

description

composed of vertical metal balusters (5) fixed to the treads (4) and of a PVC handrail (6)

materials

balusters: Fe 360
handrail: PVC
fixings (7): nylon

finishing

balusters: Sendzimir hot dip galvanizing, zinc phosphate primer and polyester powder coating for outdoor use

OBLIGATORY CLEANING AND MAINTENANCE

Clean the treads as soon as dirt spots and dust deposits appear and at least every 6 months using a soft cloth moistened with water and specific non-abrasive and non-aggressive detergents. NEVER use abrasive scourers. After cleaning, thoroughly dry the surfaces with a microfibre cloth to remove the haloes that form because of the limestone in the water. Approximately 12 months from the date of installation, check tightness of the screws of the various components. Should even the smallest malfunction occur, it is obligatory to immediately and professionally carry out extraordinary maintenance.

USE PRECAUTION

Avoid any improper use that is not in accordance with the product. Possible violations or installations which don't comply with the providers instructions can invalidate the agreed product conformities.

ES)

datos de identificación del producto

denominación comercial: LUCIA

tipo: escalera de caracol de planta redonda

materiales empleados

ESTRUCTURA

descripción

compuesta por distanciadores (1) de metal (soldados al peldaño) y espaciadores (2) de plástico enfiladas y comprimidas en la columna (3) central modular

materiales

distanciadores: Fe 360

espaciadores: nylon 66

columna central: Fe 360 galvanizado

acabado

distanciadores: galvanización en caliente y barnizado con polvo de poliéster para exterior

PELDAÑOS

descripción

peldaños (4) de metal circulares enfilados en la columna (3) central

materiales

peldaños: chapa Fe 360

acabado

galvanización en caliente y barnizado con polvo de poliéster para exterior

BARANDILLA

descripción

compuesta por barrotes (5) verticales de metal fijados a los peldaños (4) y por un pasamanos (6) de PVC

materiales

barrotes: Fe 360

pasamanos: PVC

fijaciones (7): nylon

acabado

barrotes: galvanización en caliente Sendzimir, capa de imprimación de fosfato de cinc y barnizado con polvo de poliéster para exterior

LIMPIEZA Y MANTENIMIENTO OBLIGATORIO

Realizar la limpieza de la escalera en cuanto aparezcan manchas de suciedad y depósitos de polvo, y periódicamente al menos cada 6 meses, con un paño suave humedecido en agua y detergentes específicos no abrasivos ni agresivos. NO utilizar nunca lanas abrasivas o de hierro. Limpiar y secar bien después del lavado utilizando un paño de microfibra para eliminar las aureolas de cal dejadas por el agua. Transcurridos unos 12 meses desde la fecha de instalación, comprobar que los tornillos que fijan las distintas partes sigan bien apretados. Ante el menor defecto de funcionamiento, es obligatorio realizar un mantenimiento extraordinario según las reglas del arte.

PRECAUCIONES DE USO

Evitar usos impropios y no conformes con el producto. Eventuales manipulaciones o instalaciones que no cumplan con las instrucciones del fabricante pueden menoscabar las cualidades certificadas del producto.

FR)

données d'identification du produit

denominación commerciale : LUCIA

typologie : escalier en colimaçon à plan rond

matériaux utilisés

STRUCTURE

description

composée de entretoises (1) en métal (soudées à la marche) et cales (2) en plastique empilées et comprimées sur le pylône (3) modulaire central

materiaux

entretoises : Fe 360

cales : nylon 66

pylône : Fe 360 galvanisé

 finition

cales : galvanisation à chaud et peinture en poudre polyester pour extérieur

MARCHES

description

marches (4) en métal circulaires empilées sur le pylône (3) central

materiaux

marches : tôle Fe 360

 finition

galvanisation à chaud et peinture en poudre polyester pour extérieur

GARDE-CORPS

description

composé de colonnettes (5) verticales en metal fixées aux marches (4) et d'une main courante en PVC (6)

materiaux

colonnettes : Fe 360

main courante : PVC

fixations (7) : nylon

 finition

colonnettes : galvanisation à chaud Sendzimir, couche de fond au phosphate de zinc et peinture en poudre polyester pour extérieur

NETTOYAGE ET MAINTENANCE OBLIGATOIRE

Nettoyer les marches dès que des taches de saleté ou des dépôts de poussière apparaissent ; effectuer également un nettoyage périodique, tous les 6 mois, à l'aide d'un chiffon doux, humecté d'eau et de détergents spécifiques non abrasifs et non agressifs. NE JAMAIS utiliser de la paille de fer abrasive. Après lavage, nettoyer et essuyer soigneusement avec un chiffon en microfibre, afin d'éliminer les auréoles provoquées par le calcaire contenu dans l'eau. Environ 12 mois après la date d'installation, contrôler le serrage des vis des différents composants. À la moindre défaillance, il est obligatoire d'effectuer immédiatement une maintenance corrective, dans les règles de l'art.

PRECAUTION D'UTILISATION

Eviter l'utilisation impropre et non conforme au produit. D'éventuelles alterations ou installations non correspondantes aux instructions du producteur peuvent invalider les conformités préétablies du produit.



LUC
D.U.M.
11/2017



447 rue Henri Farman , Parc Marcel Dassault
34430 ST JEAN DE VEDAS - FRANCE

Tél : 0033 (0)4 67 27 36 55
Fax : 0033 (0)4 67 07 50 05

email : info@echelle-europeenne.com
www.echelle-europeenne.com
www.escaliers-echelle-europeenne.com



L'ECHELLE
EUROPEENNE



BALUSTRADE LUCIA

**IT) ATTENZIONE!**

Leggere e seguire scrupolosamente queste istruzioni e tenere per future consultazioni. Eseguire l'installazione "a regola d'arte", utilizzando attrezzi idonei; seguire scrupolosamente le istruzioni di montaggio. Informarsi prima dell'installazione, sui regolamenti locali e nazionali da rispettare, in funzione della destinazione d'uso (privato principale, secondario, uffici, negozi,...).

EN) WARNING!

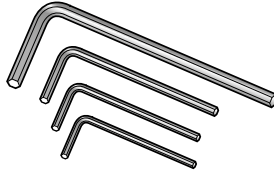
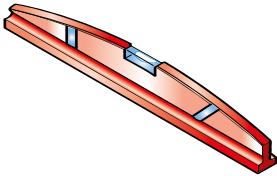
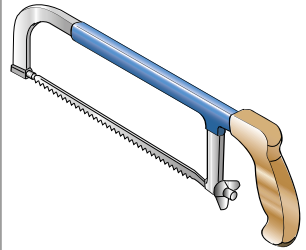
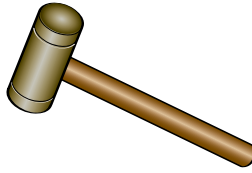
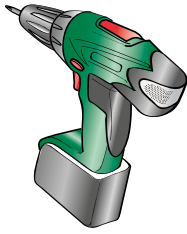
Carefully read and strictly follow these instruction and keep them for future consultation. Carry out the installation in a "workmanlike" manner, strictly following the installation instructions and using suitable tools. Always consult your local building department for code requirements that must be respected depending on its destination of use (private, secondary, public...).

FR) ATTENTION !

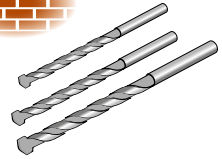
Lire et respecter scrupuleusement les présentes instructions ; les conserver pour toute autre consultation. Effectuer l'installation dans les règles de l'art en utilisant des outils appropriés ; suivre scrupuleusement les instructions de montage. Pour réaliser un montage conforme aux normes en vigueur, il faut s'informer avant l'installation quant aux réglementations locales et nationales à respecter, en fonction du domaine d'utilisation (résidence privée principale, secondaire, bureaux, magasins,...).

ES) ¡ATENCIÓN!

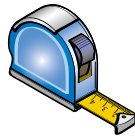
Leer y seguir estrictamente estas instrucciones y conservarlas para consultas futuras. Realizar la instalación "según las reglas del arte", utilizando herramientas adecuadas; seguir estrictamente las instrucciones de montaje. Informarse antes de la instalación sobre los reglamentos locales y nacionales a respetar, en función del destino de uso (privado principal, secundario, oficinas, tiendas,...).



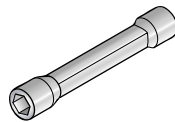
3 mm (1/8")
4 mm (5/32")
5 mm (13/64")



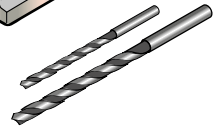
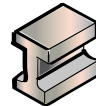
Ø 8 x 120 mm
(D 5/16" x 4 23/32")
Ø 12 x 120 mm
(D 15/32" x 4 23/32")
Ø 14 x 150 mm
(D 35/64" x 5 29/32")



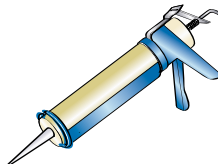
PH 2



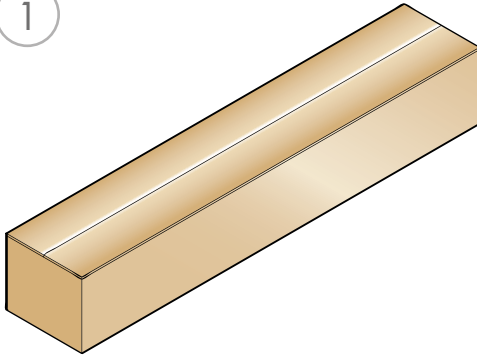
10 mm (25/64")
13 mm (33/64")



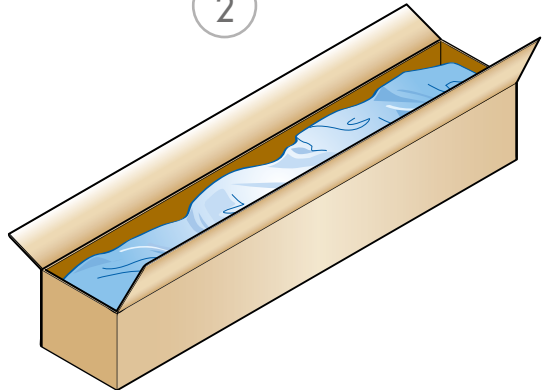
Ø 2,5 mm (D 3/32")
Ø 5,5 mm (D 7/32")



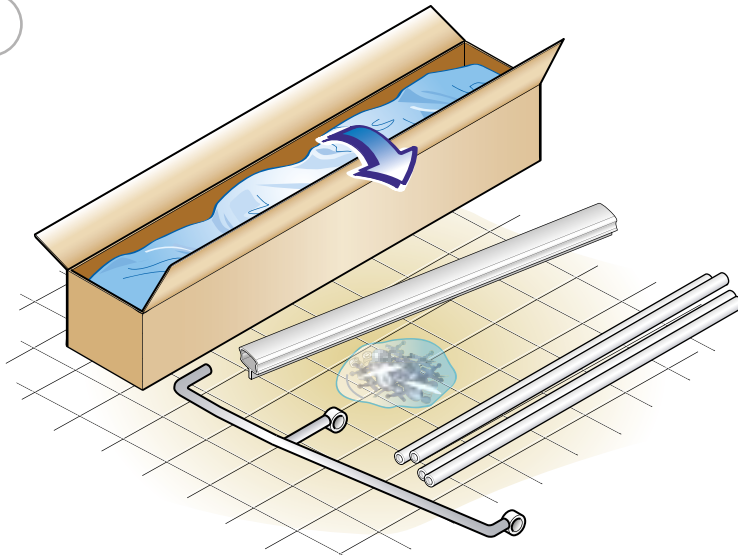
1

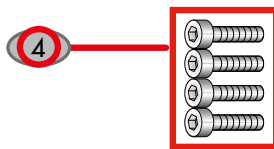
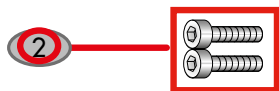




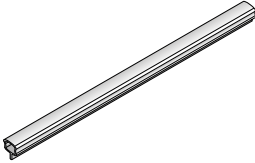









2

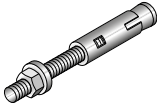

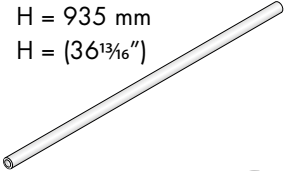


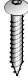



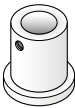
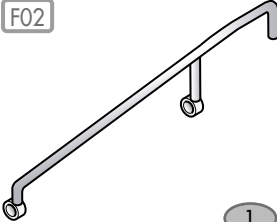
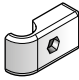

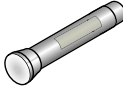


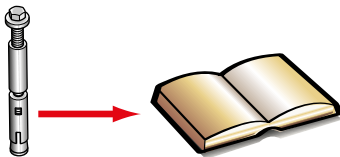
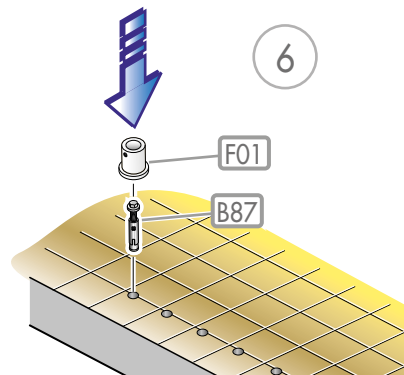
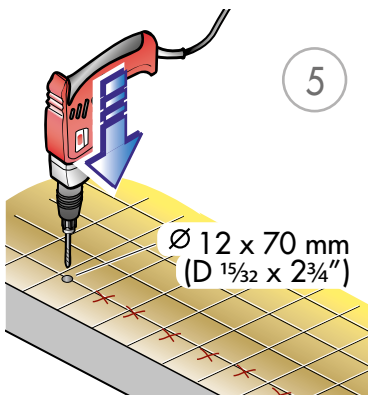
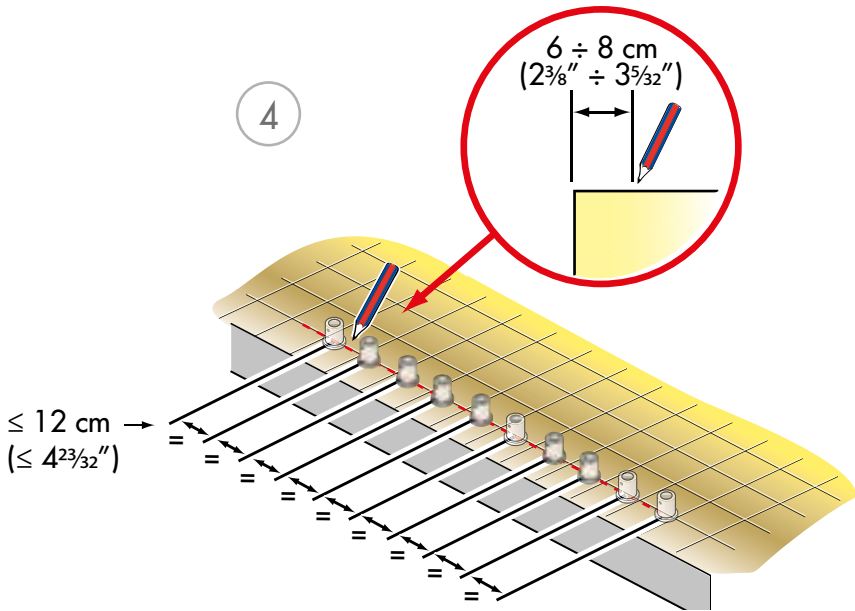
3



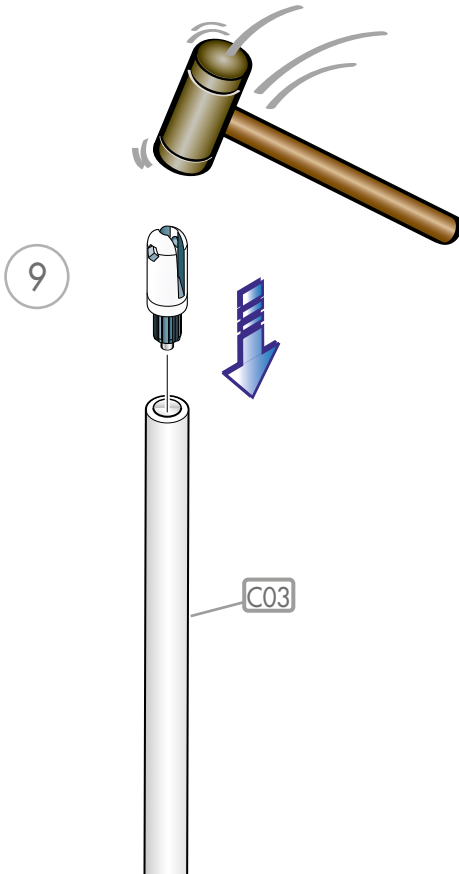
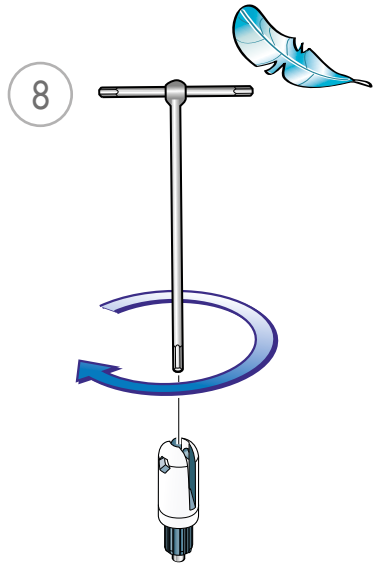
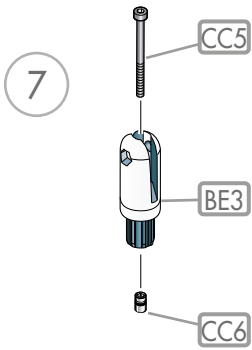


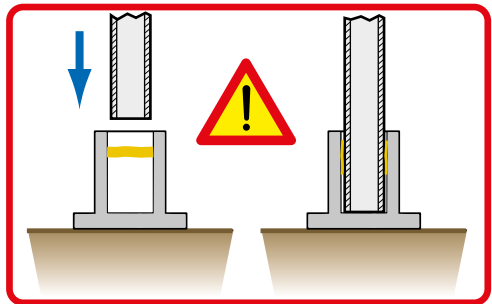
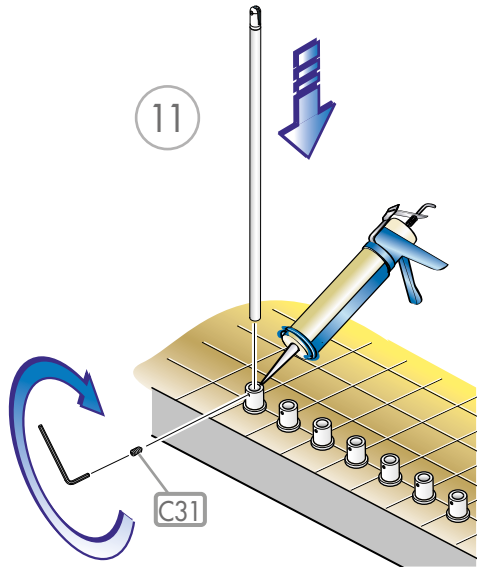
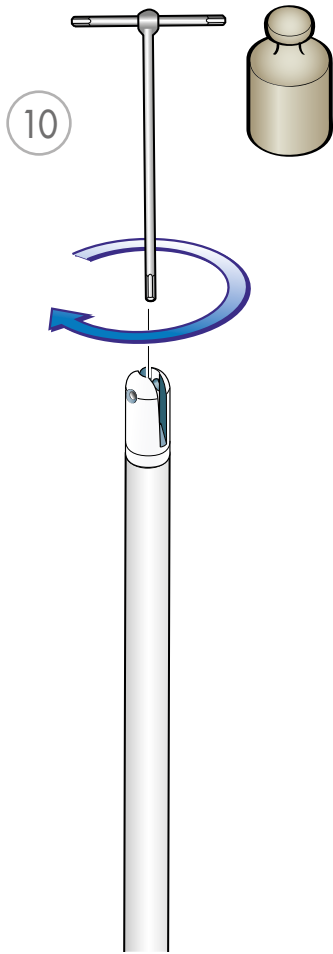
<p>A03</p>  <p>4</p>	<p>A17</p>  <p>1</p>	<p>A18</p>  <p>1</p>
<p>A19</p>  <p>1</p>	<p>B08</p>  <p>2</p>	<p>B11</p>  <p>M6 x 40 mm (M 15/64" x 1 37/64")</p> <p>3</p>
<p>B12</p>  <p>∅ 8 mm (D 5/16")</p> <p>3</p>	<p>B13</p>  <p>M8 mm (M 5/16")</p> <p>1</p>	<p>B36</p>  <p>M6 x 25 mm (M 15/64" x 63/64")</p> <p>1</p>
<p>B37</p>  <p>M6 mm (M 15/64")</p> <p>1</p>	<p>B54</p>  <p>10</p>	<p>B55</p>  <p>10</p>

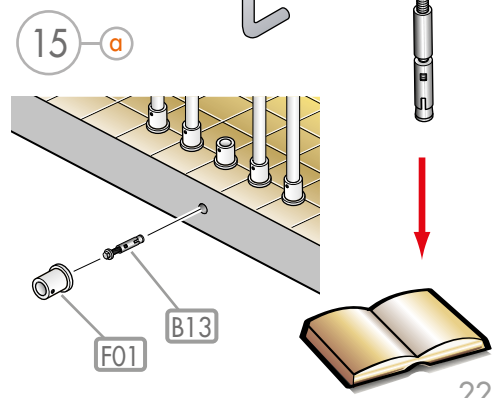
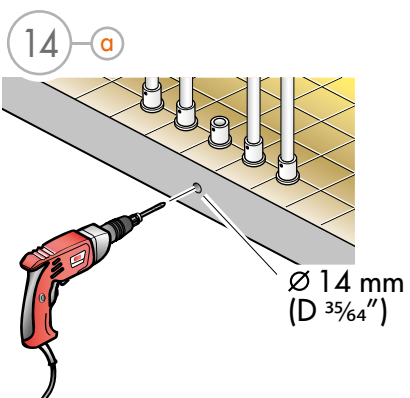
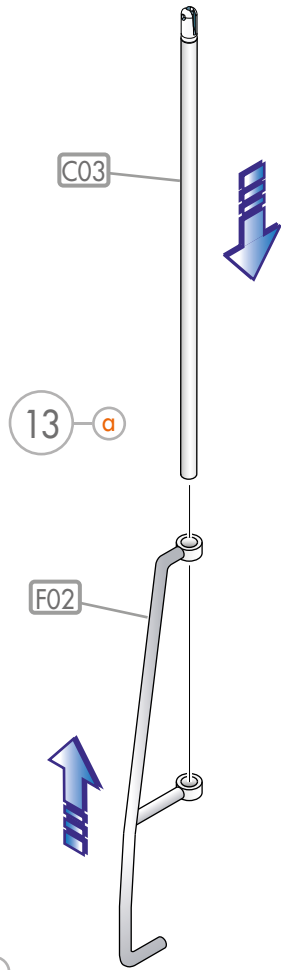
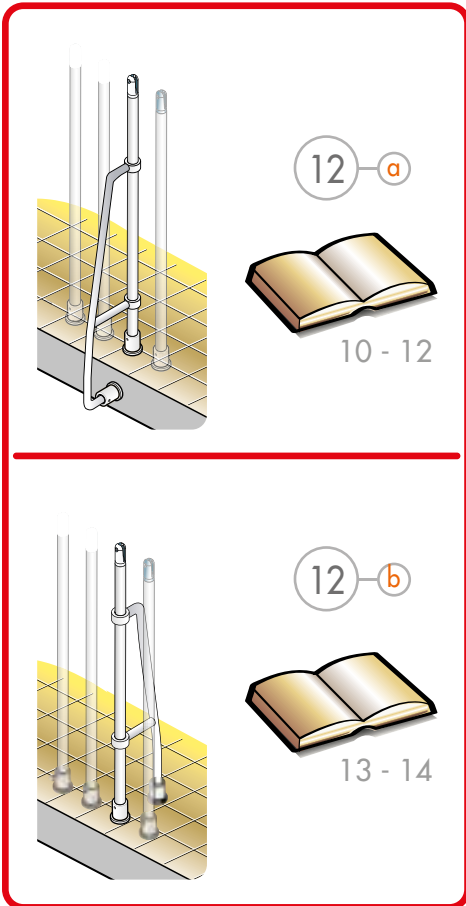
<p>B87</p>  <p>10</p>	<p>BE3</p>  <p>10</p>	<p>C03 H = 935 mm H = (36¹³/₁₆")</p>  <p>10</p>
<p>C29</p>  <p>3</p>	<p>C31</p>  <p>6 x 6 mm (15⁵/₆₄" x 15⁵/₆₄")</p> <p>13</p>	<p>C87</p>  <p>8</p>
<p>C92</p>  <p>2</p>	<p>CC5</p>  <p>10</p>	<p>CC6</p>  <p>10</p>
<p>F01</p>  <p>11</p>	<p>F02</p>  <p>1</p>	<p>F08</p>  <p>2</p>
<p>F09</p>  <p>1</p>	<p>X01</p> 	

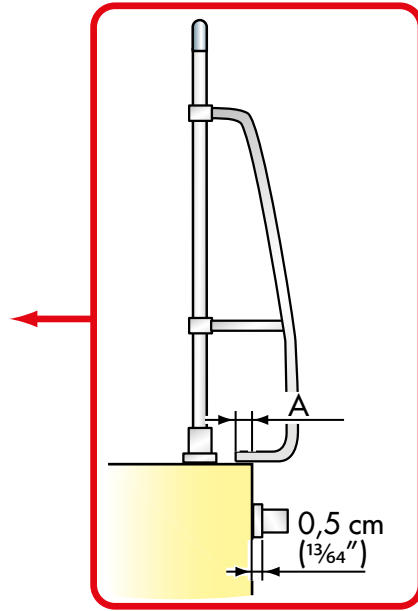
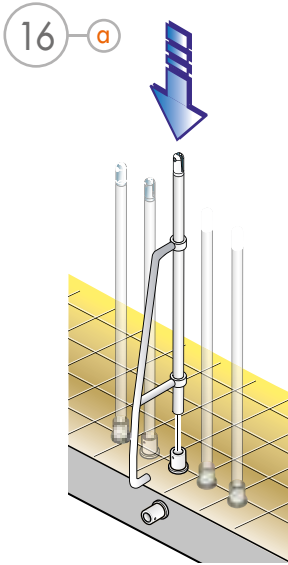


22

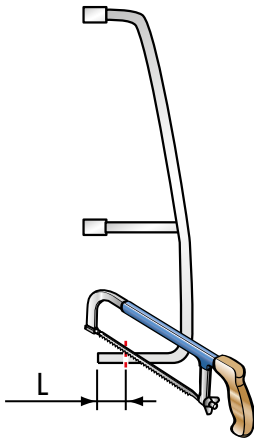




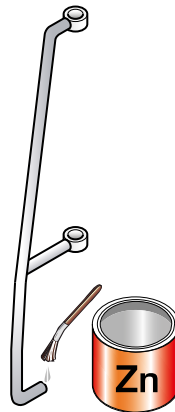




17 a

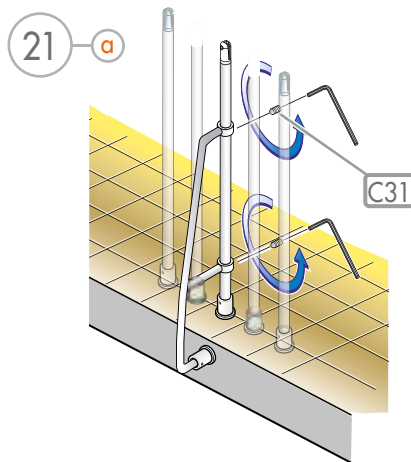
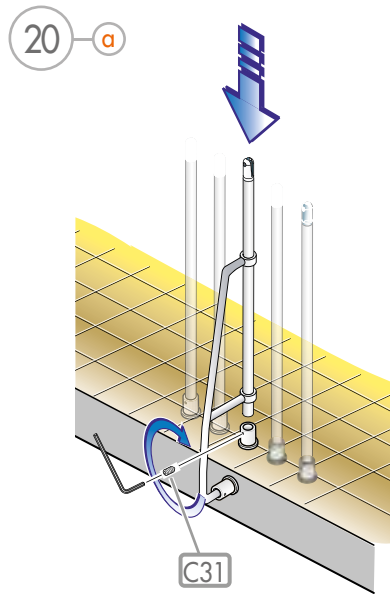
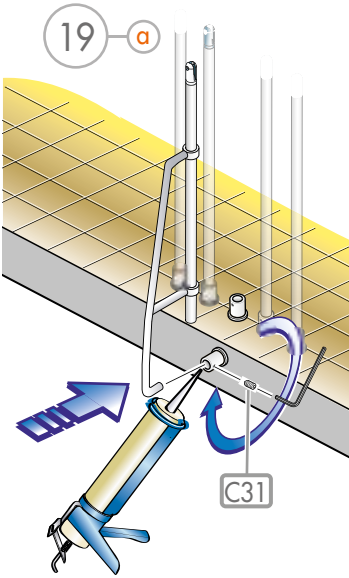


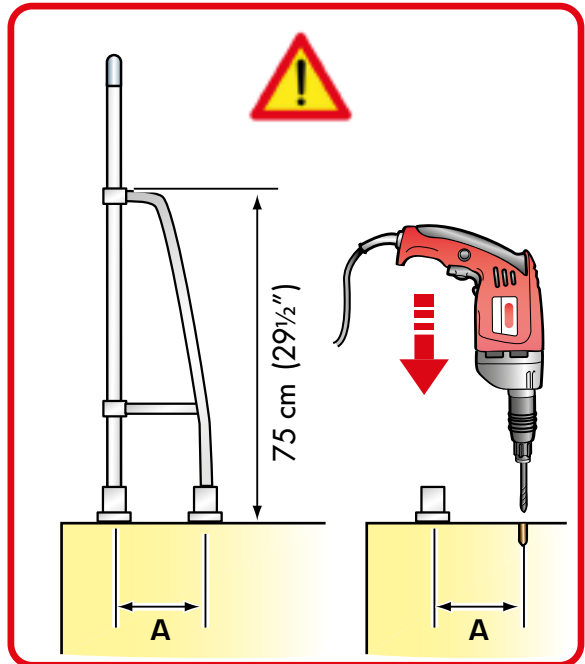
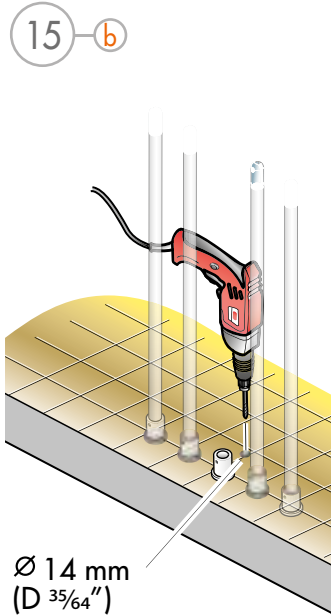
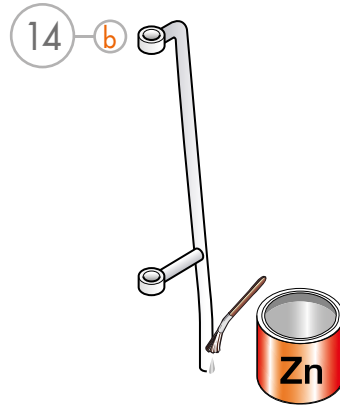
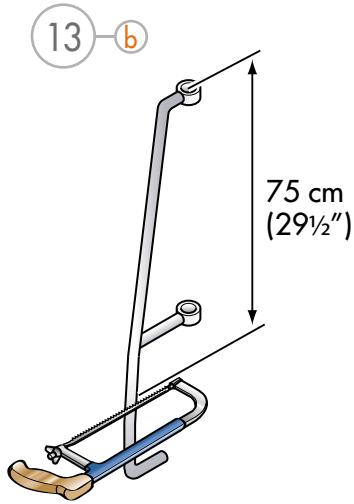
18 a

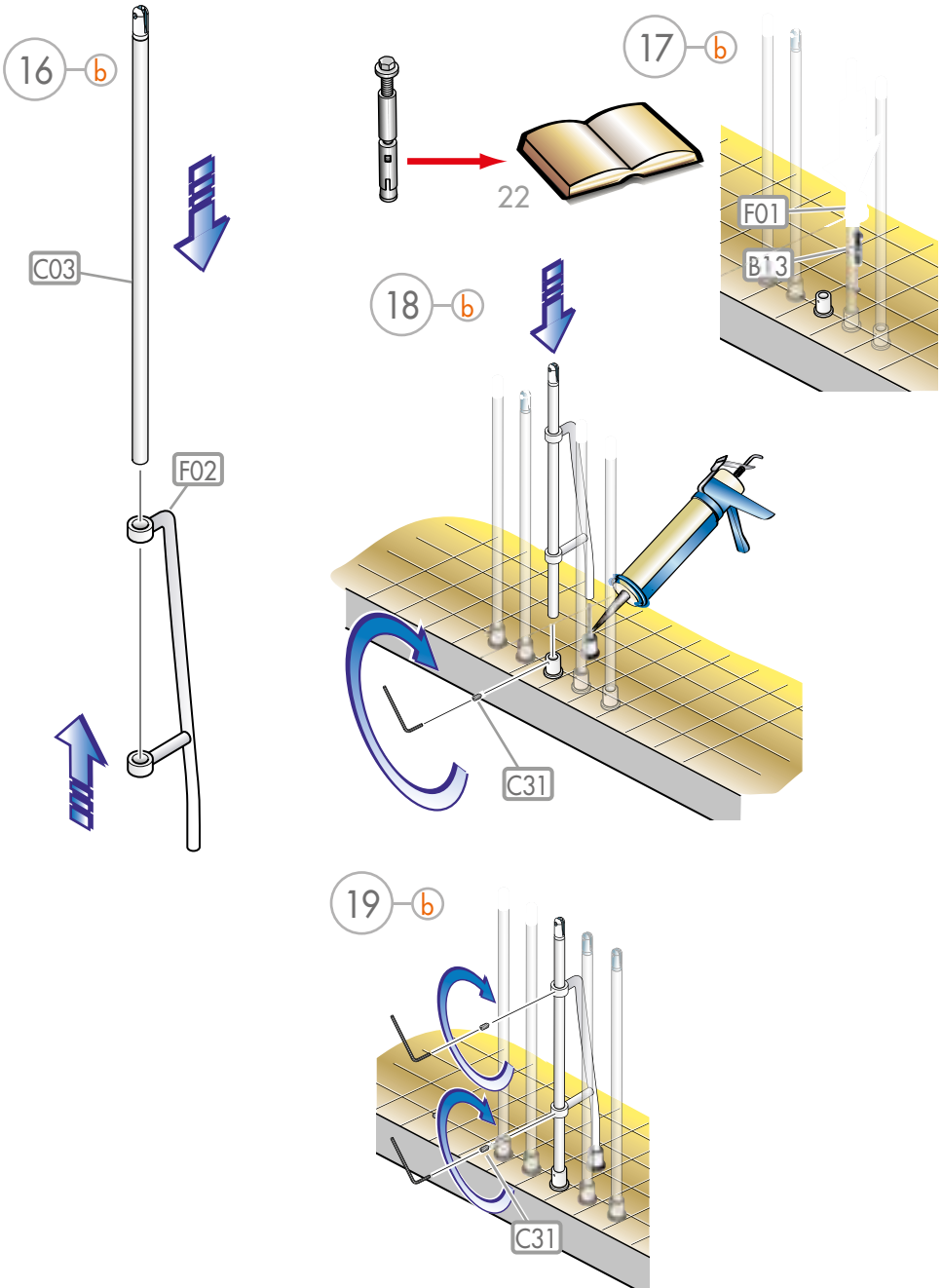


$$L = A + 0,5 \text{ cm}$$

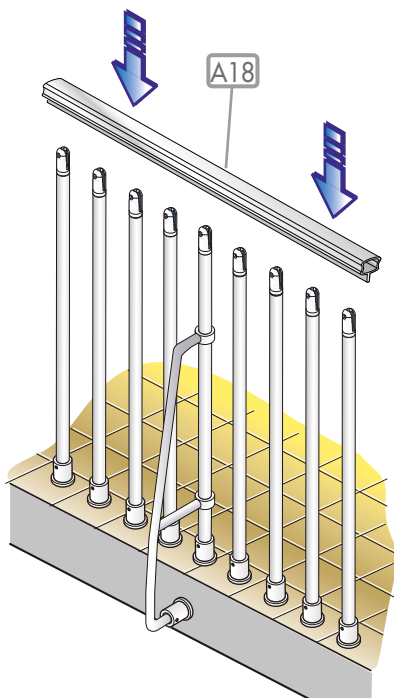
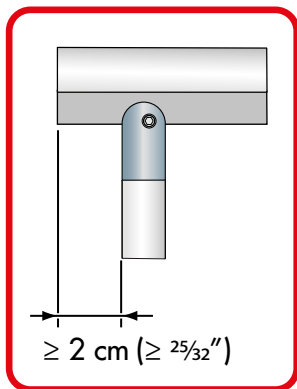
$$(L = A + \frac{13}{64} \text{''})$$



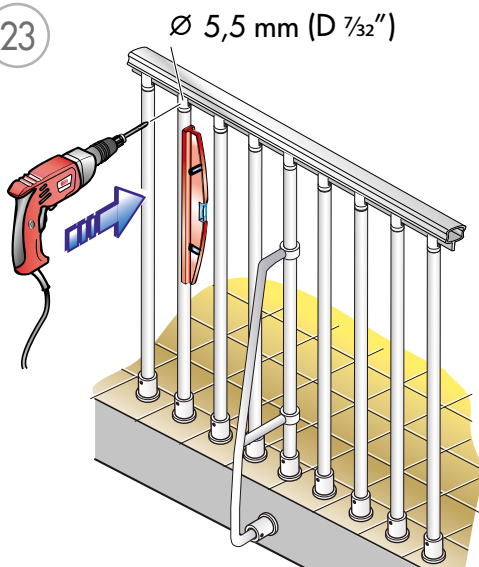




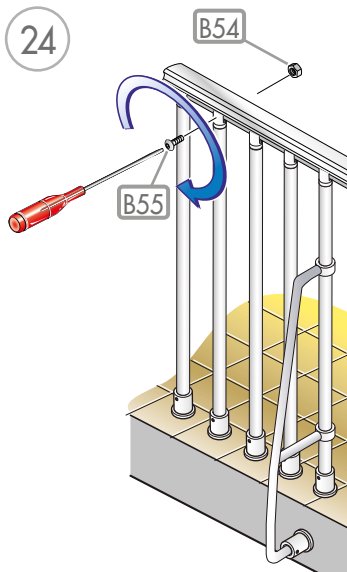
22

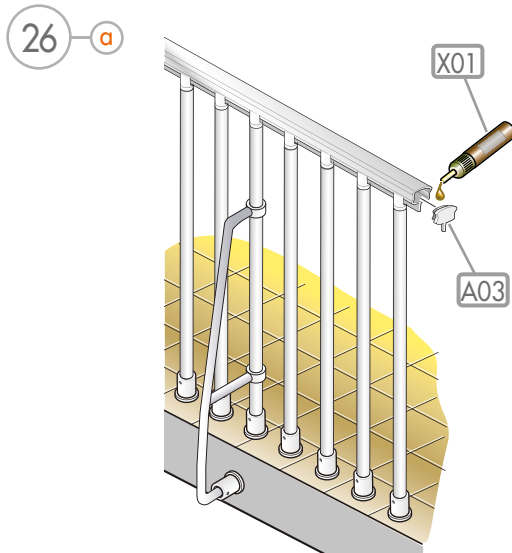
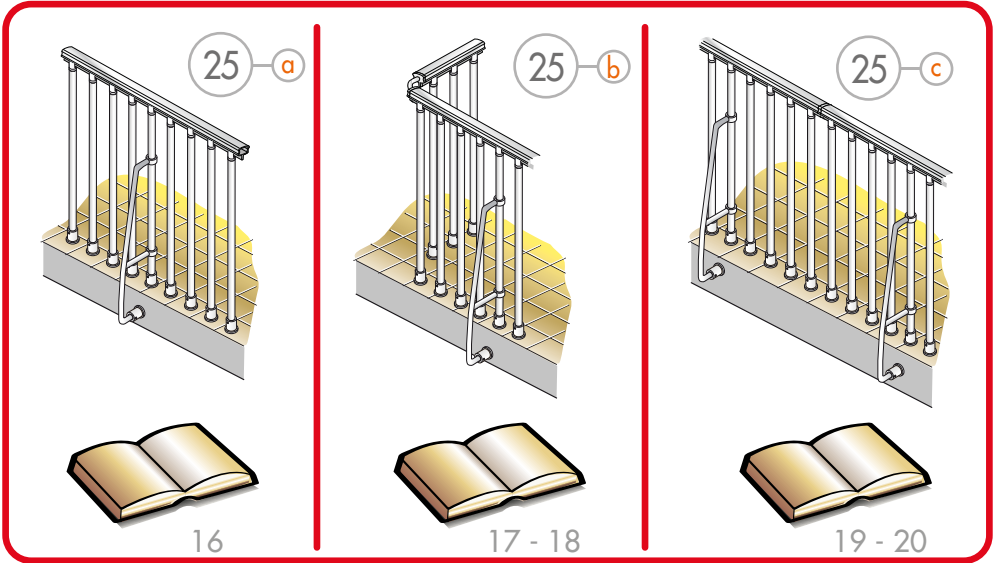


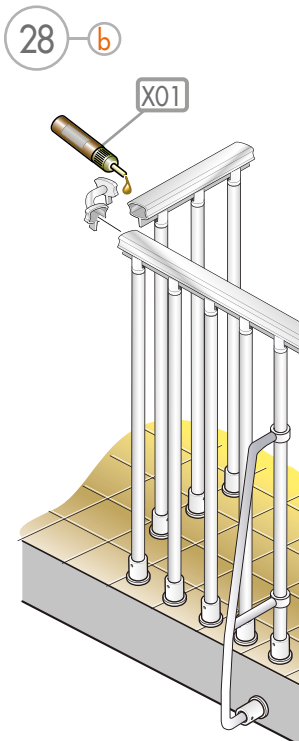
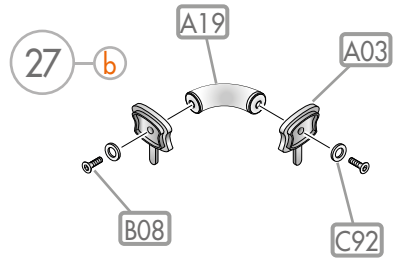
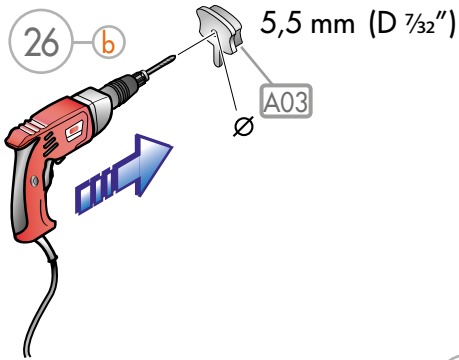
23

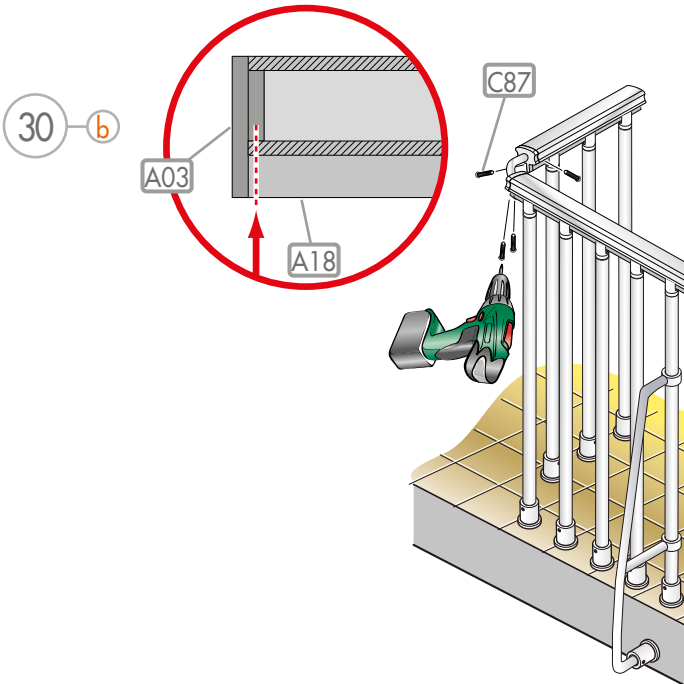
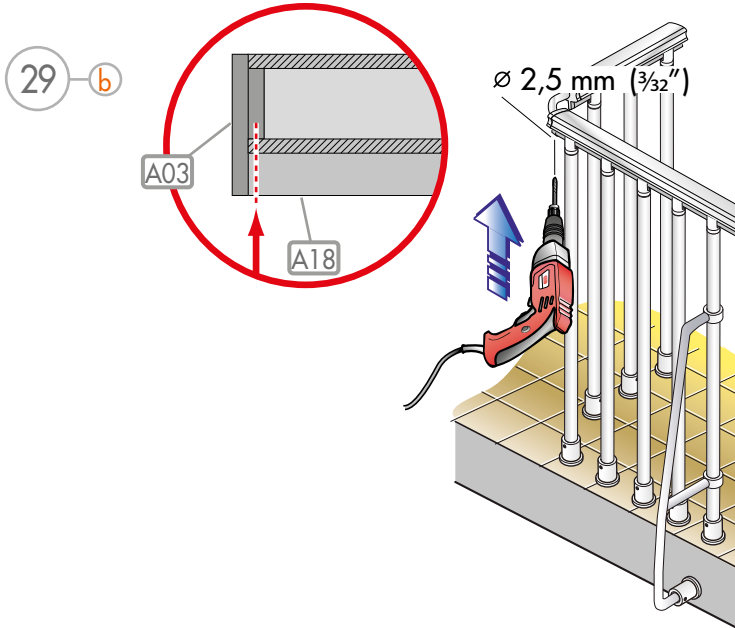


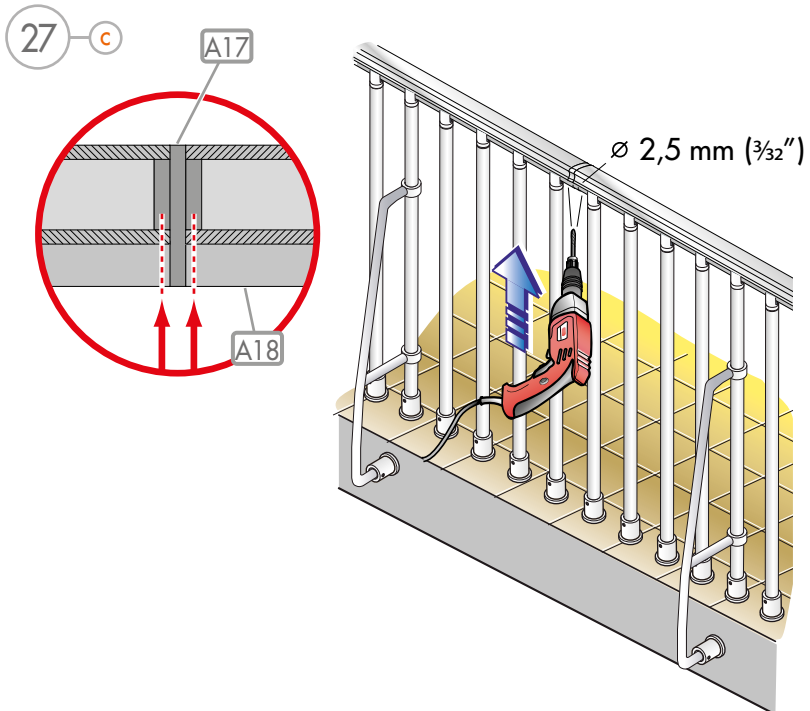
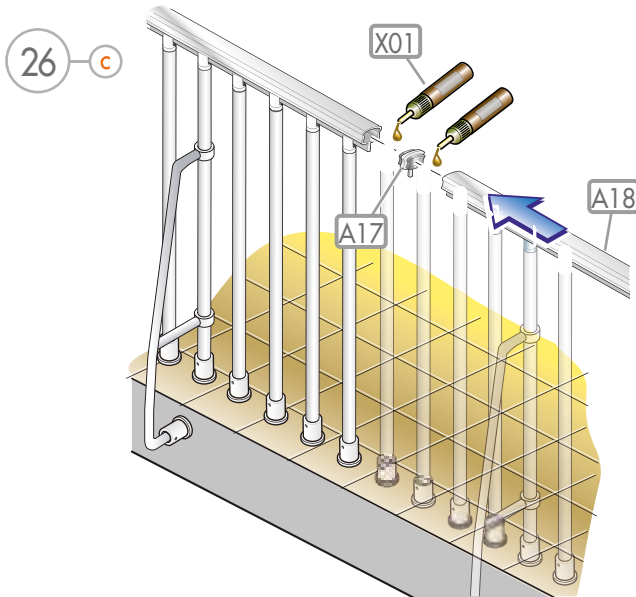
24

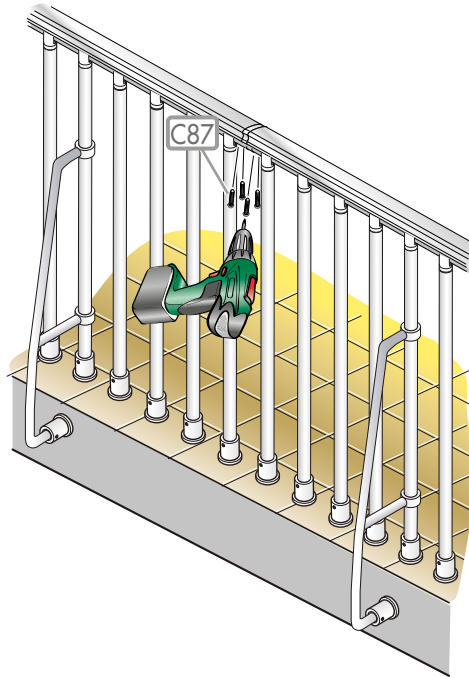
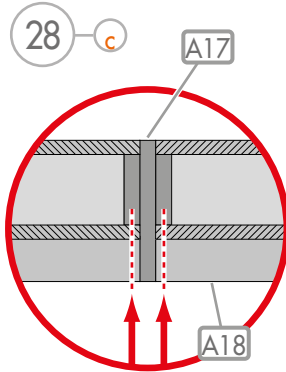




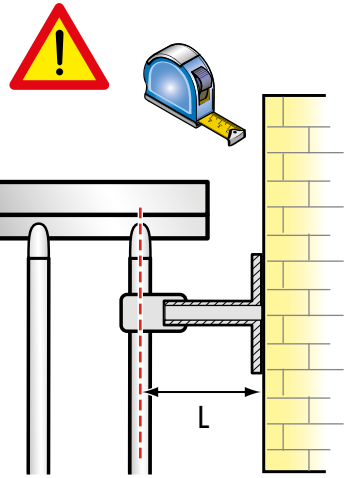
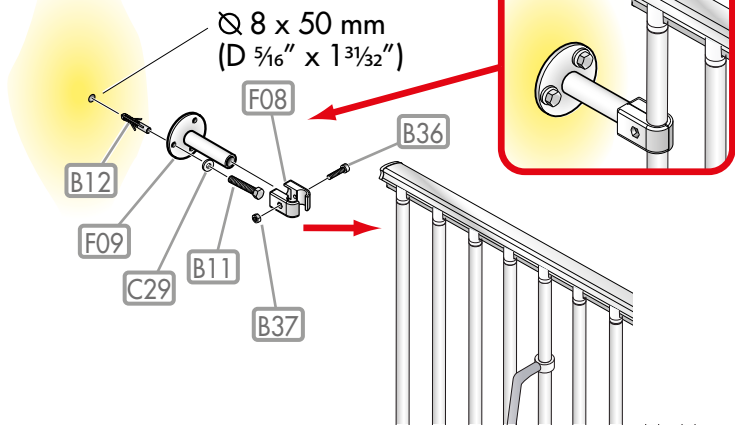




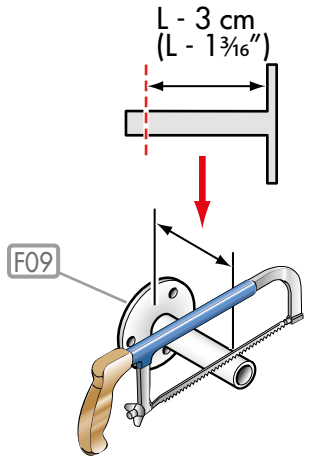




29

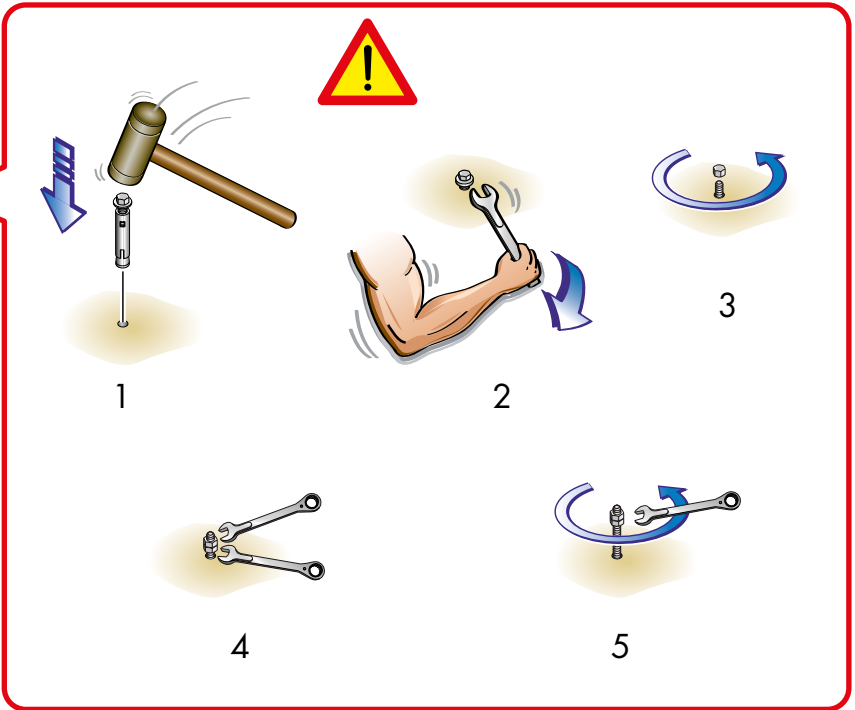
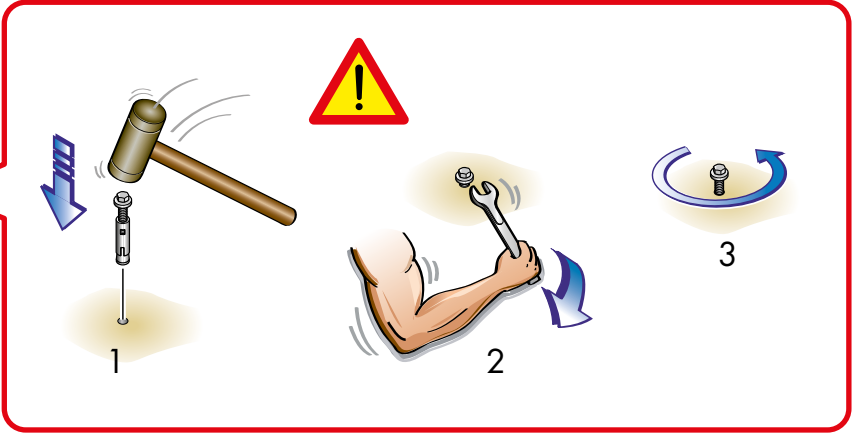


30



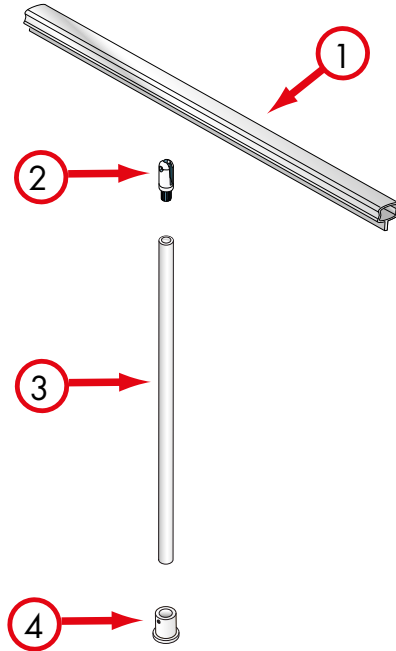
31





Italiano
English
Français
Español

DATI IDENTIFICATIVI DEL PRODOTTO
PRODUCT DETAILS
DONNÉES D'IDENTIFICATION DU PRODUIT
DATOS DE IDENTIFICACIÓN



IT)

dati identificativi del prodottodenominazione commerciale: **BALUSTRADE LUCIA**

tipologia: balastra

materiali impiegati

descrizione

composta da colonnine (3) in metallo e corrimano (1) in PVC

materiali

colonnine (3): Fe 360

corrimano (1): PVC

fissaggi (2): nylon

fissaggi (4): alluminio

finitura

colonnine (3): zincatura a caldo Sendzimir, mano di fondo ai fosfati di zinco e verniciatura a forno con polveri poliestere per uso esterno

PULIZIA E MANUTENZIONE OBBLIGATORIA

Eseguire la pulizia della balastra alla prima comparsa di macchie di sporco e depositi di polvere e periodicamente almeno ogni 6 mesi con panno morbido inumidito in acqua e detergenti specifici non abrasivi ed aggressivi. NON usare mai pagliette abrasive o in ferro. Pulire ed asciugare accuratamente dopo il lavaggio con un panno in microfibra al fine di eliminare gli aloni del calcare presente nell'acqua. Dopo circa 12 mesi dalla data di installazione, controllare il serraggio della viteria dei vari componenti. Al verificarsi di qualsiasi minimo malfunzionamento è obbligatorio effettuare una manutenzione straordinaria, da eseguire subito e a regola d'arte.

PRECAUZIONI D'USO

Evitare usi impropri e non consono al prodotto. Eventuali manomissioni o installazioni non rispondenti alle istruzioni del produttore possono inficiare le conformità prestabilite del prodotto.

EN)

product detailstrade name: **BALUSTRADE LUCIA**

type: balustrade

used materials

description

composed of metal balusters (3) and PVC handrail (1)

materials

balusters (3): Fe 360

handrail (1): PVC

fixings (2): nylon

fixings (4): aluminium

finishing

balusters (3): Sendzimir hot dip galvanizing, zinc phosphate primer and polyester powder coating for outdoor use

OBLIGATORY CLEANING AND MAINTENANCE

Clean the balustrade as soon as dirt spots and dust deposits appear and at least every 6 months using a soft cloth moistened with water and specific non-abrasive and nonaggressive detergents. NEVER use abrasive scourers. After cleaning, thoroughly dry the surfaces with a microfibre cloth to remove the haloes that form because of the limestone in the water. Approximately 12 months from the date of installation, check tightness of the screws of the various components. Should even the smallest malfunction occur, it is obligatory to immediately and professionally carry out extraordinary maintenance.

USE PRECAUTION

Avoid any improper use that is not in accordance with the product. Possible violations or installations which don't comply with the providers instructions can invalidate the agreed product conformities.

**FR)
donnés d'identification du produit**

denomination commerciale : **BALUSTRADE LUCIA**
typologie : balustrade

materiaux utilisés**description**

composée de colonnettes (3) en métal et d'une main courante en PVC (1)

materiaux

colonnettes (3) : Fe 360
main courante (1) : PVC
fixations (2) : nylon
fixations (4) : aluminium

 finition

colonnettes (3) : galvanisation à chaud Sendzimir, couche de fond au phosphate de zinc et peinture en poudre polyester pour extérieur

NETTOYAGE ET MAINTENANCE OBLIGATOIRE

Nettoyer la balustrade dès que des taches de saleté ou des dépôts de poussière apparaissent ; effectuer également un nettoyage périodique, tous les 6 mois, à l'aide d'un chiffon doux, humidifié d'eau et de détergents spécifiques non abrasifs et non agressifs. NE JAMAIS utiliser de la paille de fer abrasive. Après lavage, nettoyer et essuyer soigneusement avec un chiffon en microfibre, afin d'éliminer les auréoles provoquées par le calcaire contenu dans l'eau. Environ 12 mois après la date d'installation, contrôler le serrage des vis des différents composants. À la moindre défaillance, il est obligatoire d'effectuer immédiatement une maintenance corrective, dans les règles de l'art.

PRECAUTION D'UTILISATION

Eviter l'utilisation impropre et non conforme au produit. D'éventuelles alterations ou installations non correspondantes aux instructions du producteur peuvent invalider les conformités préétablies du produit.

**ES)
datos de identificación del producto**

denominación comercial: **BALUSTRADE LUCIA**
tipo: balastrada

materiales empleados **descripción**

compuesta por barrotes (3) de metal y por un pasamanos (1) de PVC

materiales

barrotes (3): Fe 360
pasamanos (1): PVC
fijaciones (2): nylon
fijaciones (4): aluminio

acabado

barrotes (3): galvanización en caliente Sendzimir, capa de imprimación de fosfato de cinc y barnizado con polvo de poliéster para exterior

LIMPIEZA Y MANTENIMIENTO OBLIGATORIO

Realizar la limpieza de la balastrada en cuanto aparezcan manchas de suciedad y depósitos de polvo, y periódicamente al menos cada 6 meses, con un paño suave humedecido en agua y detergentes específicos no abrasivos ni agresivos. NO utilizar nunca lanas abrasivas o de hierro. Limpiar y secar bien después del lavado utilizando un paño de microfibras para eliminar las aureolas de cal dejadas por el agua. Transcurridos unos 12 meses desde la fecha de instalación, comprobar que los tornillos que fijan las distintas partes sigan bien apretados. Ante el menor defecto de funcionamiento, es obligatorio realizar un mantenimiento extraordinario según las reglas del arte.

PRECAUCIONES DE USO

Evitar usos impropios y no conformes con el producto. Eventuales manipulaciones o instalaciones que no cumplan con las instrucciones del fabricante pueden menoscabar las cualidades certificadas en las pruebas de conformidad a las que previamente fue sometido el producto.



**BAL
LUCIA**
D.U.M.
11/2017



447 rue Henri Farman , Parc Marcel Dassault
34430 ST JEAN DE VEDAS - FRANCE

Tél : 0033 (0)4 67 27 36 55
Fax : 0033 (0)4 67 07 50 05

email : info@echelle-europeenne.com
www.echelle-europeenne.com
www.escaliers-echelle-europeenne.com

cod.067815001